



J&C AERO
EEU

J & C Aerospace Design And Certification Services EEU Ltd.

www.THISisDOA.eu
Tel: +353 15 269768
E-mail: info@thisisdoa.eu

Doc.-No.

JCAERO/ECN/2772

Issue:

1.1

Page:

1 of 1

ENGINEERING CHANGE NOTICE

LASS OF CHANGE

<input type="checkbox"/>	NEW RELEASE OF DRAWING	<input type="checkbox"/>	RE-DRAWN
<input checked="" type="checkbox"/>	UP-ISSUE OF DRAWING	<input type="checkbox"/>	CHANGES MADE TO ECN ONLY

WHY CHANGE OR RELEASE IS NEEDED (SELECT ONE)

<input type="checkbox"/>	New Release	<input type="checkbox"/>	Interchangeability
<input type="checkbox"/>	Customer Change	<input checked="" type="checkbox"/>	Clarification
<input type="checkbox"/>	Drawing Error	<input type="checkbox"/>	New configuration
<input type="checkbox"/>	Design Change/Improvement	<input type="checkbox"/>	Producibility

NOTES/EXPLANATION

See Notes in drawing No. ART252JCAERO2772.

CHANGE DESCRIPTION

SHEET 2 OF 4:

View "-101 INSTALLATION" is updated, the STA location of R/H row 34 seat is corrected.

DRAWING NUMBER


ART252JCAERO2772 REV B

Prepared By:

(Senior Design Engineer)

GEDIMINAS GRIGAITIS

Sign &
Date


07 JUN 2024

Checked By:

(Lead Design Engineer)

EDVIN SEMENOVIC

Sign &
Date


07 JUN 2024

DRAWING NUMBER:
ART252JCAERO2772

F	E	D	C	B	A	DRW REVISION	CHANGES
				INITIAL ISSUE	INITIAL ISSUE	REVISION DSC	
				SEE ECN	09 MAY 2024	REVISION DATE	

A

B

C

D

E

TABLE 2

DESCRIPTION	ABBREVIATION
LEFT HAND	L/H
RIGHT HAND	R/H
CENTER	CTR
TRIPLE	TPL
DOUBLE	DBL
OUTBOARD	OUTBD
IN-ARM TABLE	IAT
RECLINE	REC
BREAKOVER	B/O
FOODTRAY	FDTR
LITERATURE POCKET	LP
NARROW	NRW
UPRIGHT	UPR
FORWARD	FWD
STANDARD	STD
TYPICAL	TYP
ASSEMBLY	ASSY
SPECIAL	SPCL
MOVABLE CLASS DIVIDER	MCD
SEAT REFERENCE POINT	SRP
CUSHION REFERENCE POINT	CRP
IN ACCORDANCE WITH	IAW

TABLE 1

SYMBOL	DESCRIPTION	ABBREVIATION
	SEAT WITH IN-ARM TABLE	IAT
	LITERATURE POCKET	LP
	SEAT WITH NO ARMREST	NO ARM
	SEAT WITH NO FOODTRAY	NO FDTR
	SEAT WITH NO BREAK OVER	NO B/O
	SEAT WITH NO RECLINE	NO REC
	SEAT WITH LIMITED RECLINE	LIM REC
	SEAT WITH HANDICAPPED FACILITIES	H
	CABIN ATTENDANT SEAT	CAS
	LAVATORY '(') - DESIGNATION LETTER	LAV
	GALLEY '(') - DESIGNATION DIGIT	GL

NOTES:

- INSTALL PASSENGER SEATS IN ACCORDANCE WITH AMM 25-21-41 AND SEATS CMM.
- THIS DRAWING TO BE READ IN CONJUNCTION WITH CHANGE ENGINEERING ORDER NO. JCAERO/EO/1345-1.
- PASSENGER SEAT LOCATIONS REFER TO CENTERLINE OF THE SEAT FRONT STUD. THE CENTERLINE OF SEAT FRONT STUD TO BE DEFINED AS MEASUREMENT POINT.
- ALL MEASUREMENTS SHALL BE MADE WITH SEATS IN UPRIGHT POSITION, ARMRESTS DOWN AND FOODTRAY TABLES STOWED.
- EACH BACKREST RECLINE IS RESTRICTED AND UPRIGHT POSITION IS ADJUSTED (TO 22.64 INCHES WHEN MEASURED FROM SEAT FRONT STUD) ON SEATS IN ROW 11 L/H & R/H I.A.W. CHANGE ENGINEERING ORDER NO. JCAERO/EO/1345-1.

FUNCTIONALITY AND CONFORMITY CHECKS

- CHECK THAT EACH SEAT IS EQUIPPED WITH AN (E)TSO APPROVED LIFE VEST.
- CHECK THAT ALL "NO SMOKING" AND "FASTEN SEAT BELTS" SIGNS/MARKINGS ARE CLEARLY VISIBLE.
- CHECK THAT OXYGEN DROP DOWN MASKS DEPLOY CORRECTLY I.A.W. THE AMM.
- CHECK THAT THE TOTAL NUMBER OF OXYGEN MASKS EXCEEDS THE NUMBER OF PASSENGER SEATS BY 10%. THE EXTRA UNITS MUST BE EVENLY DISTRIBUTED THROUGHOUT THE CABIN AS PRACTICAL.
- CHECK MINIMUM AISLE WIDTHS THROUGHOUT THE AIRCRAFT FOR CONFORMITY I.A.W. VIEW "SECTION A-A" & "SECTION B-B".
- CHECK THAT SEAT ROW NUMBERING IS INSTALLED IN THE CORRECT LOCATIONS I.A.W. AIPC AND MATCH THE SEATING LAYOUT.
- CHECK THAT EACH PASSENGER SEAT AND CREW SEAT IS EQUIPPED WITH (E)TSO APPROVED SEAT BELT I.A.W. APPLICABLE SEAT CMM.
- CHECK THAT MINIMUM DISTANCE FROM CUSHION REFERENCE POINT TO BULKHEAD IS GREATER THAN 35.00 INCHES. THE CRP IS DEFINED AS THE INTERSECTION OF THE TOP SURFACE OF BOTTOM CUSHION AND A CONSIDERATIONS VERTICAL LINE TANGENTIAL TO THE FORWARD MOST POINT OF THE SEAT BACK. MEASURED AT THE CENTER OF THE SEAT BACK WITH THE SEAT BACK IN THE FULL UPRIGHT POSITION. LITERATURE POCKETS OR OTHER EQUIPMENT INSTALLED ON BULKHEADS AT 18 INCHES OR HIGHER ABOVE THE FLOOR LEVEL SHALL BE CONSIDERED WITHIN THE HEAD STRIKE AREA.
- CHECK THAT THE DISTANCE BETWEEN AFT FACING CABIN ATTENDANT SEAT AND FWD FACING PASSENGER SEAT IS NOT LESS THAN 60 INCHES WHEN MEASURED BETWEEN CUSHION REFERENCE POINTS (CRP).
- CHECK THAT MINIMUM TYPE C EMERGENCY EXIT PASSAGEWAY REQUIREMENTS CONFORM WITH VIEW "DETAIL D, E, F & G".
- CHECK THAT ALL NEW SEATS ARE SUPPLIED WITH AN EASA FORM 1.
- CHECK THAT ALL FLOOR PATH LIGHTING IS VISIBLE WHEN ALL CABIN LIGHTING ABOVE 4 FEET IS EXTINGUISHED INCLUDING EXIT SPURS.
- CHECK THAT THERE IS A MINIMUM OF 0.79 INCH CLEARANCE BETWEEN THE SEAT BACKREST AND FIXED MONUMENT, AND BETWEEN THE SEAT, SIDEWALL AND CABIN ATTENDANT SEAT.
- CHECK THAT EACH TYPE C EXIT HAVE ASSIST SPACE OF 12.00 x 20.00 INCHES (IF CABIN CREW CAN STAND ERECT OR IS IN FRONT OF A SEAT CUSHION) OR 20.00 x 20.00 INCHES (IF CABIN CREW CAN NOT STAND ERECT) AT ONE SIDE OF EXIT PASSAGEWAY. ASSIST SPACE MUST NOT INTERFERE WITH EXIT PASSAGEWAY.
- CHECK THAT ALL SEATS PLACARDED WITH INSTRUCTIONS TO FASTEN SEAT BELTS AND WITH INFORMATION OF LIFE VEST LOCATION.

QTY.	MAP REF.	ITEM NO.	PART NUMBER	DESCRIPTION	MANU.	CMM	STATUS	NOTE
		19	3530AY03-31Z464	L/H DOUBLE SEAT - LAST ROW	RECARO	25-21-10	NEW	
		18	3530AY03-32Z464	R/H DOUBLE SEAT - LAST ROW	RECARO	25-21-10	NEW	
		17	3530AY03-31Z384	L/H TRIPLE SEAT - NRW, STRETCHER	RECARO	25-21-10	NEW	
		16	3530AY03-32Z384	R/H TRIPLE SEAT - NRW, STRETCHER	RECARO	25-21-10	NEW	
		15	3530AY03-31Z444	L/H TRIPLE SEAT - STRETCHER	RECARO	25-21-10	NEW	
		14	3530AY03-32Z444	R/H TRIPLE SEAT - STRETCHER	RECARO	25-21-10	NEW	
		13	3530AY03-31Z534	L/H TRIPLE SEAT - IAT INBOARD	RECARO	25-21-10	NEW	
		12	3530AY03-32Z434	R/H TRIPLE SEAT - NRW	RECARO	25-21-10	NEW	
		11	3530AY03-31Z434	L/H TRIPLE SEAT - NRW	RECARO	25-21-10	NEW	
		10	3530AY03-32Z554	R/H TRIPLE SEAT - INBOARD IAT	RECARO	25-21-10	NEW	
		9	3530AY03-21Z514	L/H DOUBLE SEAT - IAT, NRW	RECARO	25-21-10	NEW	
		8	3530AY03-22Z534	R/H DOUBLE SEAT - IAT, NRW	RECARO	25-21-10	NEW	
		7	3530AY03-31Z524	L/H TRIPLE SEAT - IAT, NRW	RECARO	25-21-10	NEW	
		6	3530AY03-22Z324	R/H DOUBLE SEAT - NRW, NO LP	RECARO	25-21-10	NEW	
		5	3530AY03-21Z324	L/H DOUBLE SEAT - NRW, NO LP	RECARO	25-21-10	NEW	
		4	3530AY03-31Z314	R/H TRIPLE SEAT - STD, HC	RECARO	25-21-10	NEW	
		3	3530AY03-31Z314	L/H TRIPLE SEAT - STD, HC	RECARO	25-21-10	NEW	
		2	3530AY03-32Z514	R/H TRIPLE SEAT - IAT	RECARO	25-21-10	NEW	
		1	3530AY03-31Z514	L/H TRIPLE SEAT - IAT	RECARO	25-21-10	NEW	

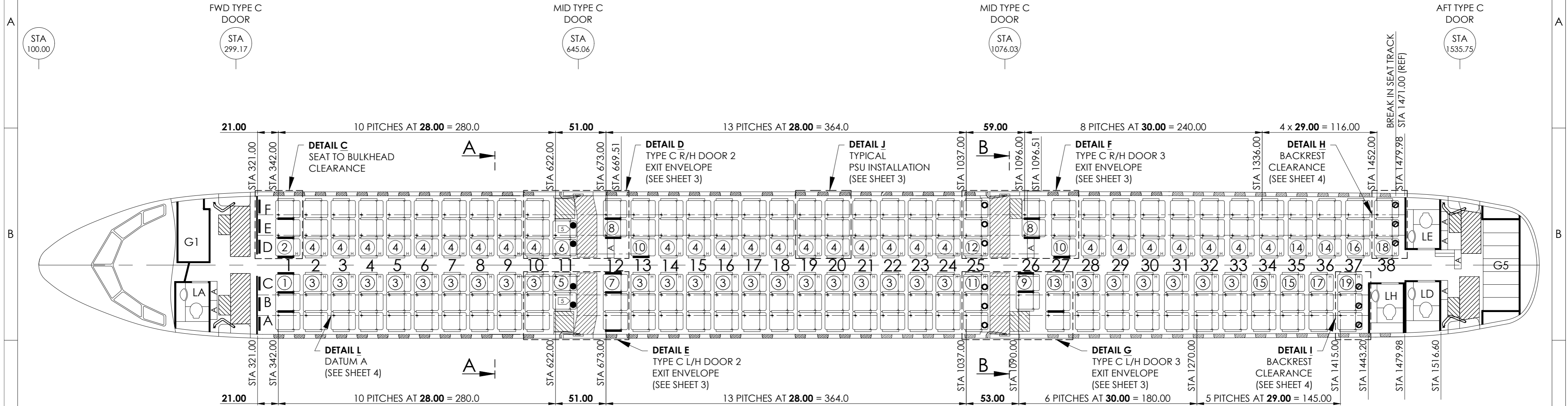
QTY.	MAP REF.	ITEM NO.	PART NUMBER	DESCRIPTION	MANU.	CMM	STATUS	NOTE
				220 PAX [220Y] LAYOUT OF PASSENGER ACCOMMODATION				



WWW.THISISDOA.EU INFO@THISISDOA.EU PHONE: +353 15 269768	AIRCRAFT: AIRBUS A321-231	MANUFACTURING TOLERANCES: SHEET WORK: ±0.30 MACHINING: ±0.20 ANGULAR: ±0.50 (UNLESS OTHERWISE SPECIFIED)	DRAWN BY: SEE JCAERO/ECN/2772
MSN: 02255, 02261	REGISTRATION: -	SCALE: NTS SIZE: A2	CHECKED BY: SEE JCAERO/ECN/2772
TITLE: 220 PAX [220Y] LAYOUT OF PASSENGER ACCOMODATION			
DRAWING NUMBER: ART252JCAERO2772			SHEET 1 OF 4
			REV. B

DRAWING NUMBER:
ART252JCAERO2772

C12 C14 C16 C18 C20 C21 C23 C24 C25 C26 C27 C28 C29 C30 C31 C32 C33 C34 C35 C35.1 C35.3 C35.5 C35.7 C35.8 C36 C37 C38 C39 C40 C41 C42 C43 C44 C45 C46 C47 C47.1 C47.2 C47.3 C47.4 C47.5 C48 C49 C50 C51 C52 C53 C54 C55 C56 C57 C58 C59 C60 C61 C62 C63 C64 C65 C66 C67 C68 C69 C70 C71

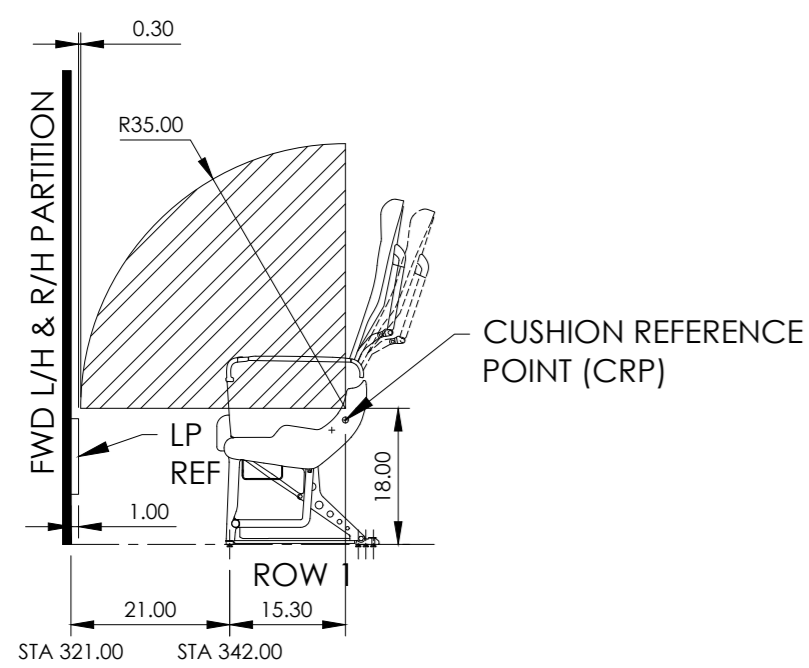


64PAX

83PAX

73PAX

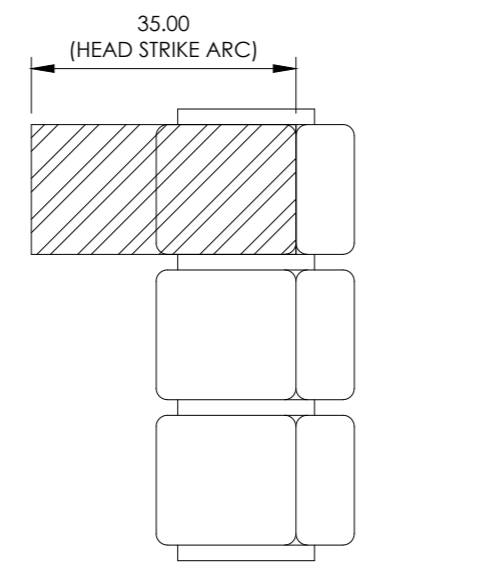
1 -101 INSTALLATION



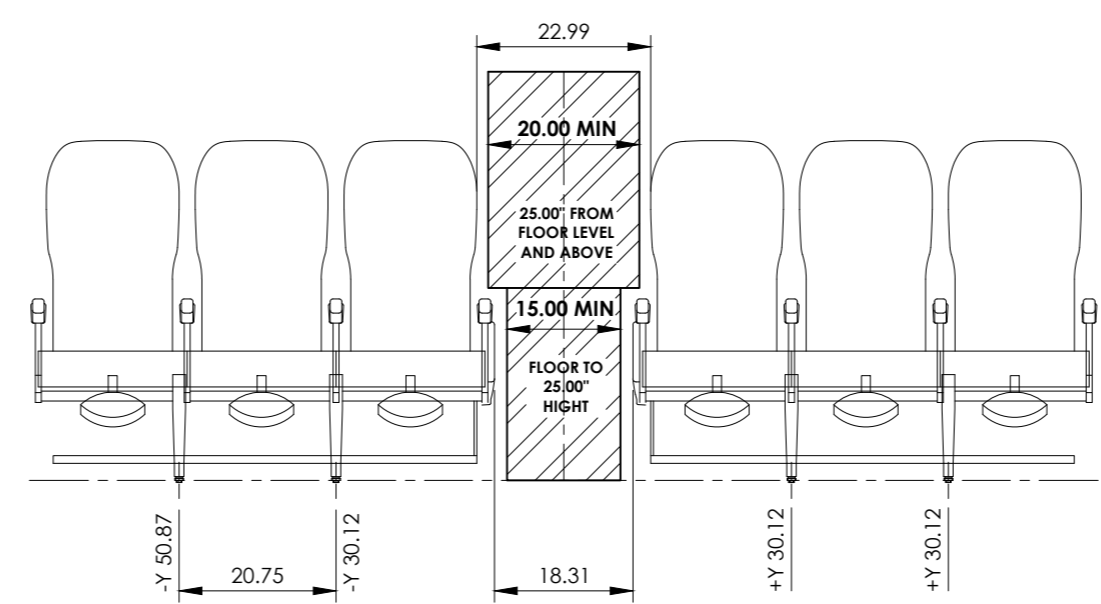
MINIMUM REQUIRED BULKHEAD CLEARANCE
35.00
(MEASURED FROM CUSHION REFERENCE POINT)

DETAIL C

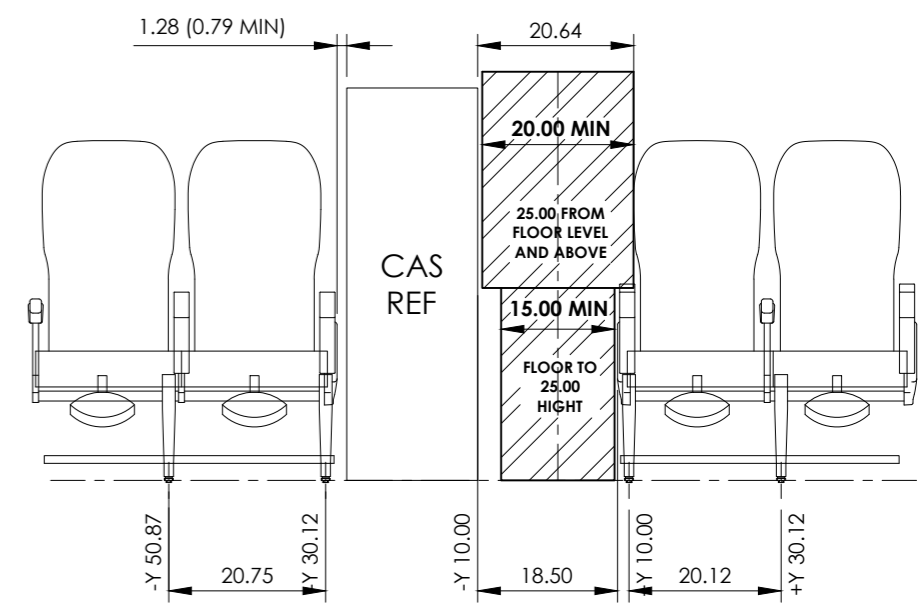
SEAT TO BULKHEAD CLEARANCE
R/H SHOWN (L/H SYMMETRICAL)



TYPICAL HEAD STRIKE ZONE
(AT EACH PAX PLACE - AFT OF
BULKHEADS OR FIXED STRUCTURE)



SECTION A-A - WIDTH OF AISLE
IAW JAR 25.815 - EXAMPLE SHOWN AT CONSTANT SECTION
(RECARO 3530A TYPE Y03 SERIES SEATS)



SECTION B-B - WIDTH OF AISLE
IAW JAR 25.815 - EXAMPLE SHOWN AT CONSTANT SECTION
(RECARO 3530A TYPE Y03 SERIES SEATS)

	WWW.THISDOA.EU INFO@THISDOA.EU PHONE: +353 15 269768	AIRCRAFT: AIRBUS A321-231	MANUFACTURING TOLERANCES: SHEET WORK: ±0.30 MACHINING: ±0.20 ANGULAR: ±0.50 (UNLESS OTHERWISE SPECIFIED)	DRAWN BY: SEE JCAERO/ECN/2772	
	MSN: 02255, 02261	REGISTRATION: -	SCALE: NTS A2	ALL DIMENSIONS ARE IN INCHES THIRD ANGLE PROJECTION	CHECKED BY: SEE JCAERO/ECN/2772
	TITLE: 220 PAX [220Y] LAYOUT OF PASSENGER ACCOMODATION				
DRAWING NUMBER: ART252JCAERO2772			SHEET 2 OF 4		
				REV. B	

© J&C AERO EEU LTD. OWN THE COPYRIGHT OF THIS DRAWING AND IT SHALL NOT BE REPRODUCED BY ANY OTHER WITHOUT THE PRIOR WRITTEN PERMISSION

A

B

C

D

E

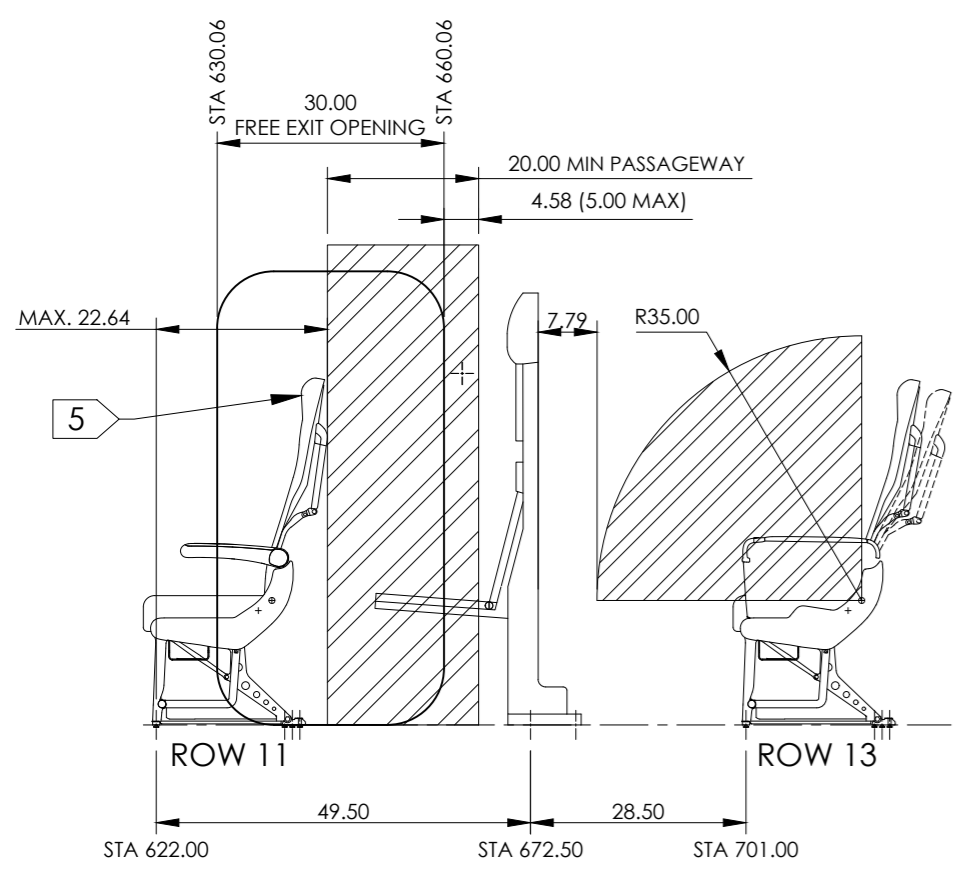
A

B

C

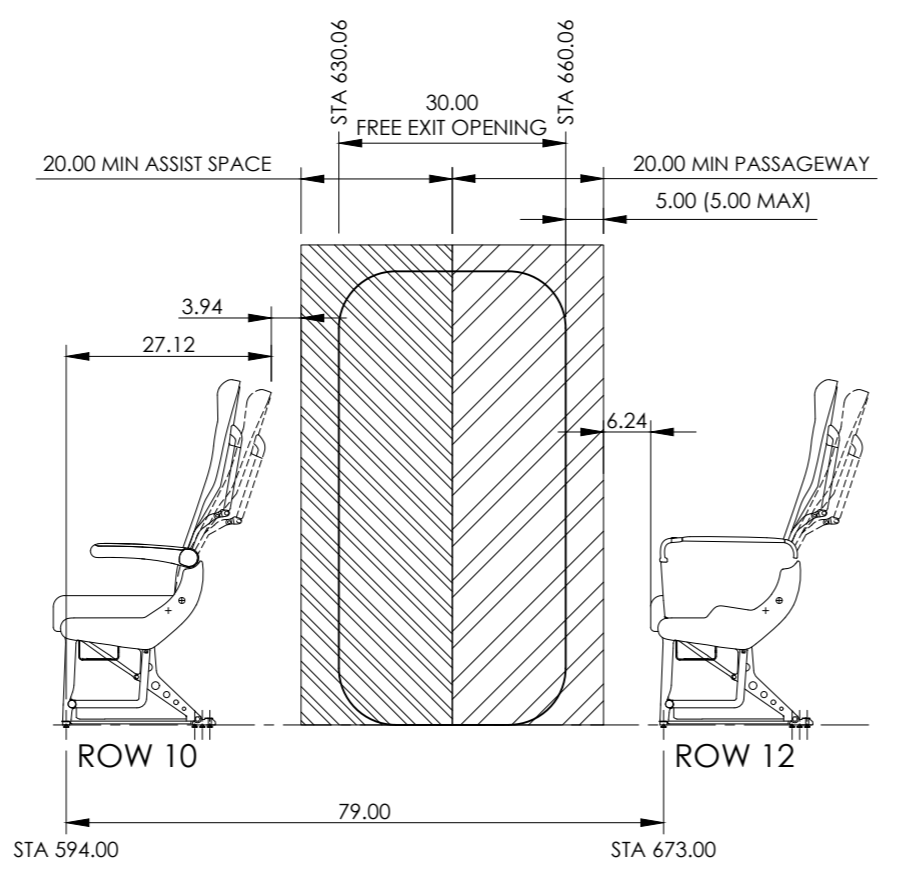
D

E



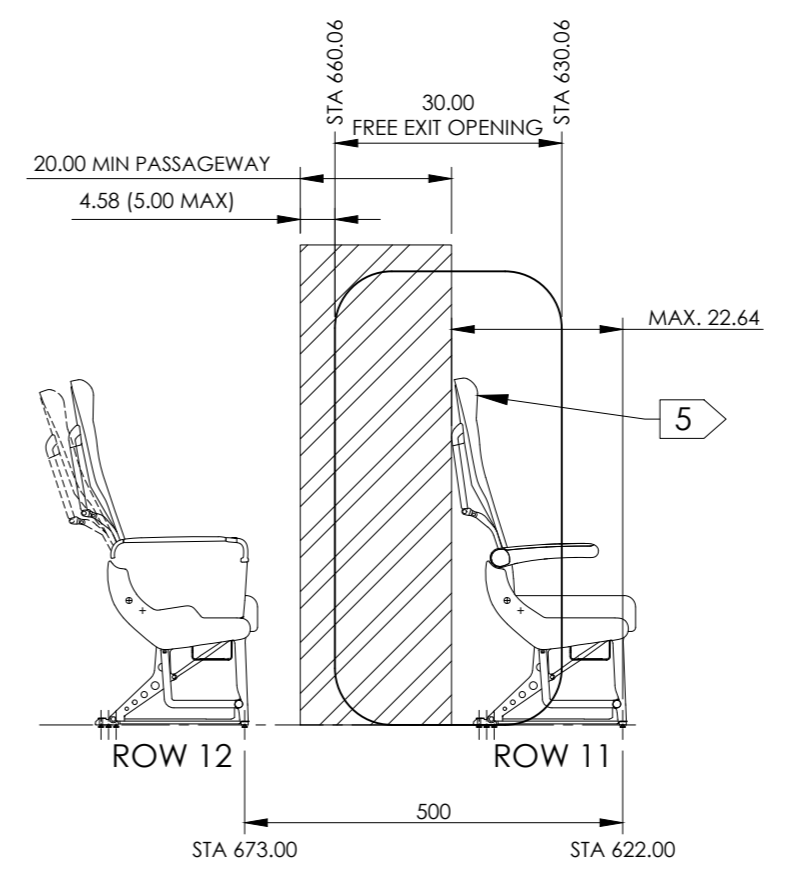
DETAIL D

R/H DOOR 2 EXIT PASSAGEWAY (INBOARD)
IAW JAR 25.813 & AIRBUS FRAME SPECIFICATION NO.
2521 M1F 1000 00



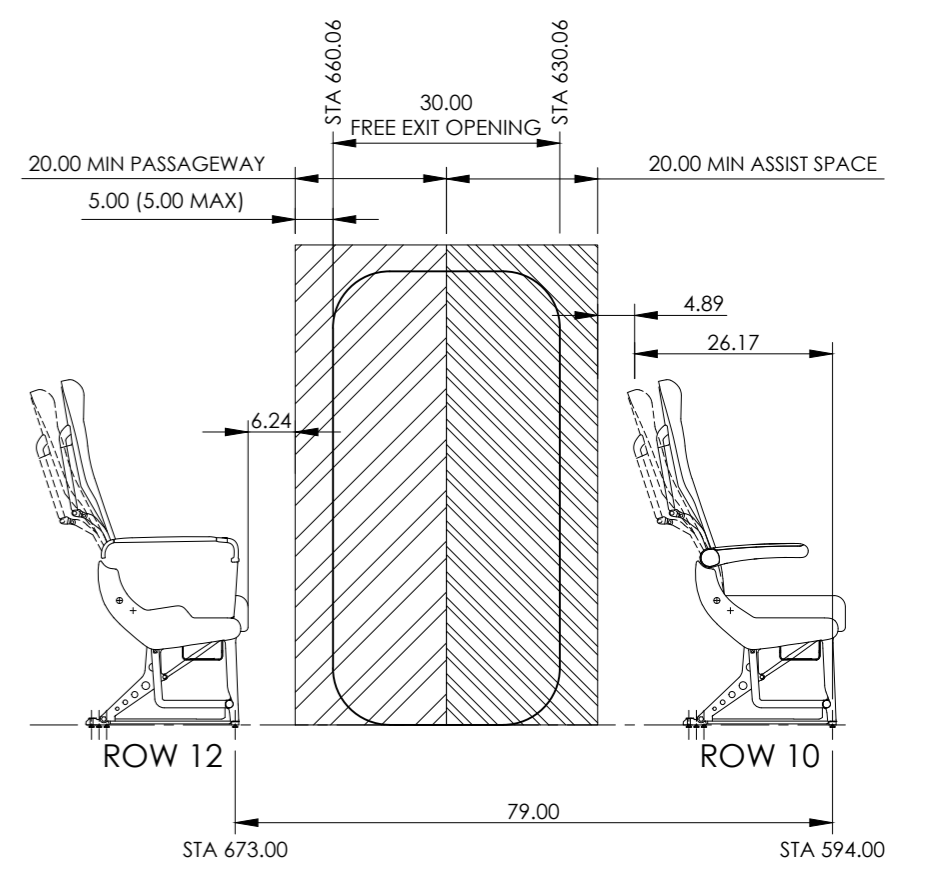
DETAIL D

R/H DOOR 2 EXIT PASSAGEWAY (OUTBOARD)
IAW JAR 25.813 & AIRBUS FRAME SPECIFICATION NO.
2521 M1F 1000 00



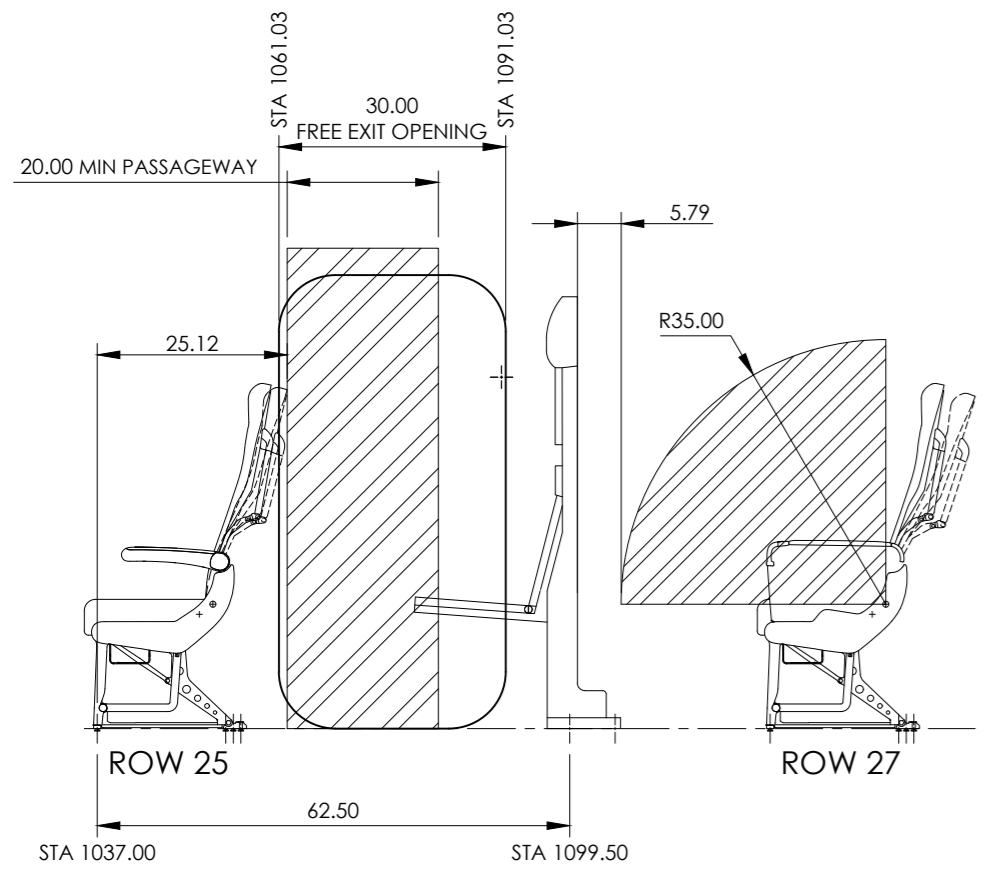
DETAIL E

L/H DOOR 2 EXIT PASSAGEWAY (INBOARD)
IAW JAR 25.813 & AIRBUS FRAME SPECIFICATION NO.
2521 M1F 1000 00



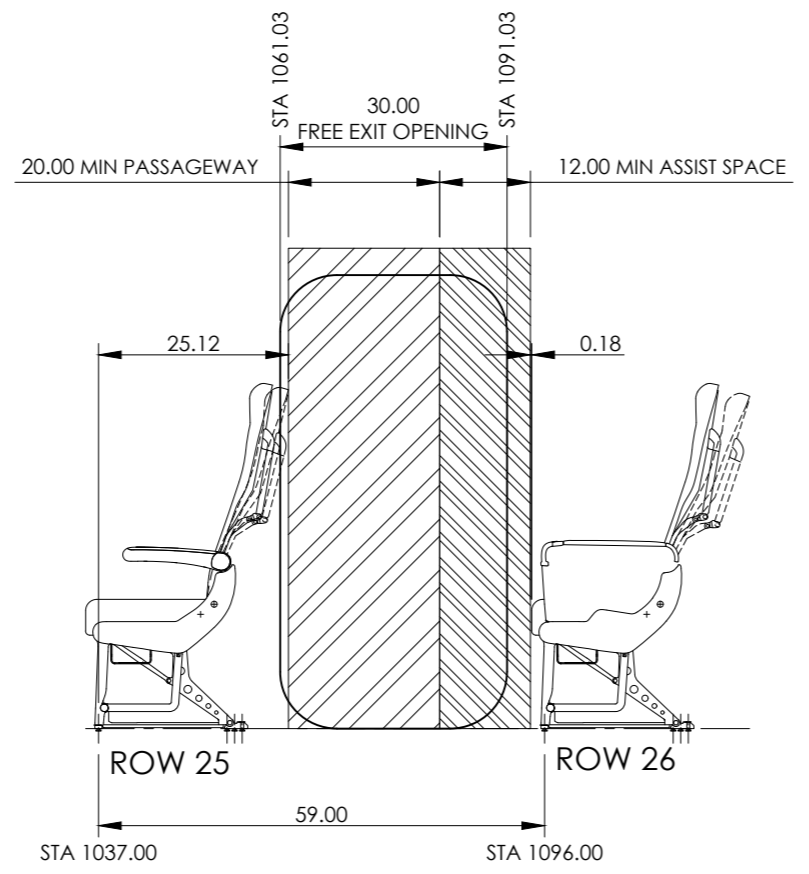
DETAIL E

L/H DOOR 2 EXIT PASSAGEWAY (OUTBOARD)
IAW JAR 25.813 & AIRBUS FRAME SPECIFICATION NO.
2521 M1F 1000 00



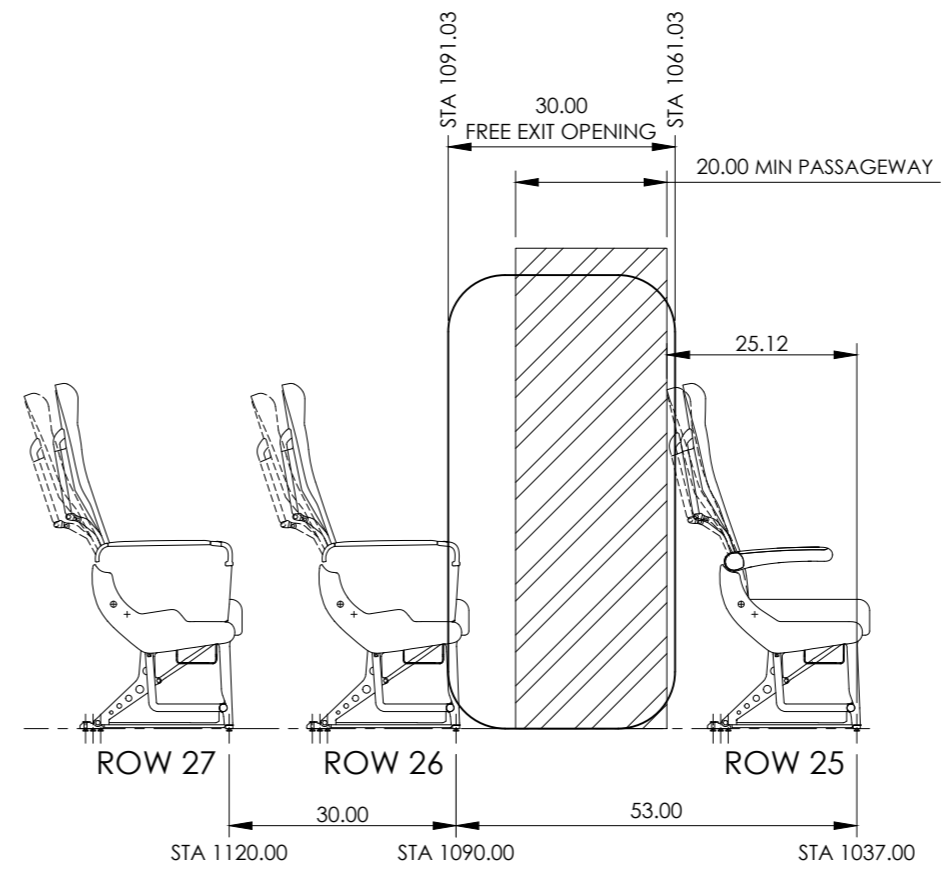
DETAIL F

R/H DOOR 3 EXIT PASSAGEWAY (INBOARD)
IAW JAR 25.813 & AIRBUS FRAME SPECIFICATION NO.
2521 M1F 1000 00



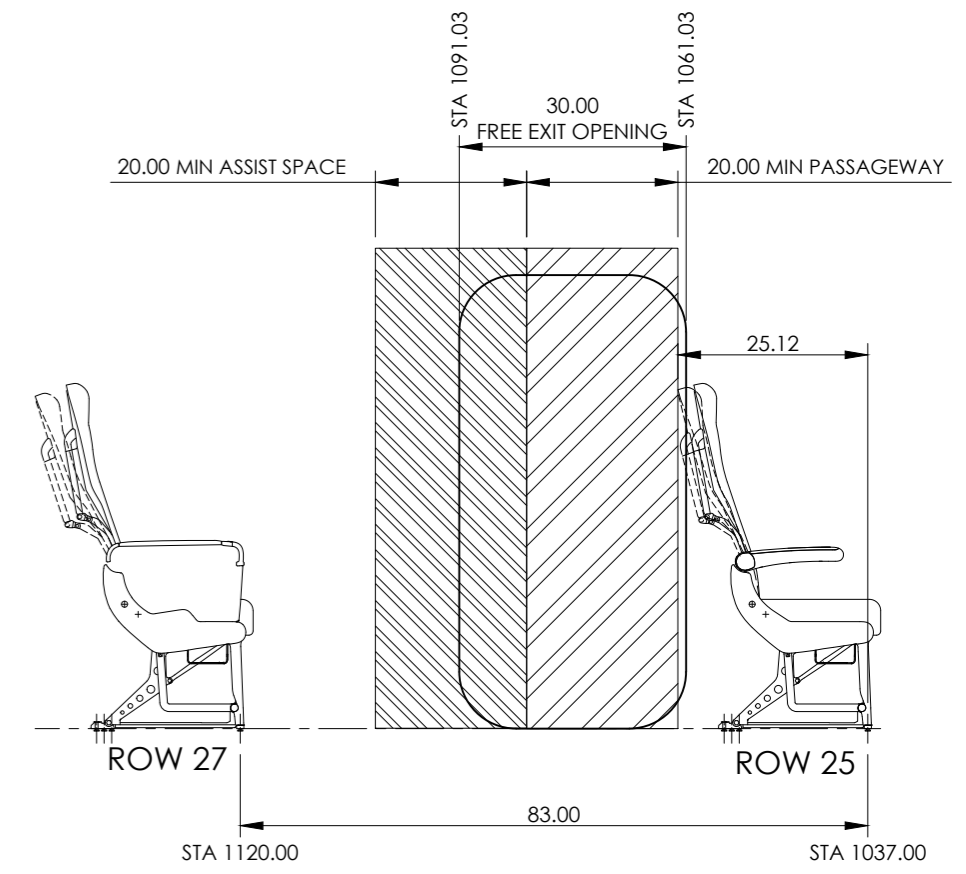
DETAIL F

R/H DOOR 3 EXIT PASSAGEWAY (OUTBOARD)
IAW JAR 25.813 & AIRBUS FRAME
SPECIFICATION NO. 2521 M1F 1000 00



DETAIL G

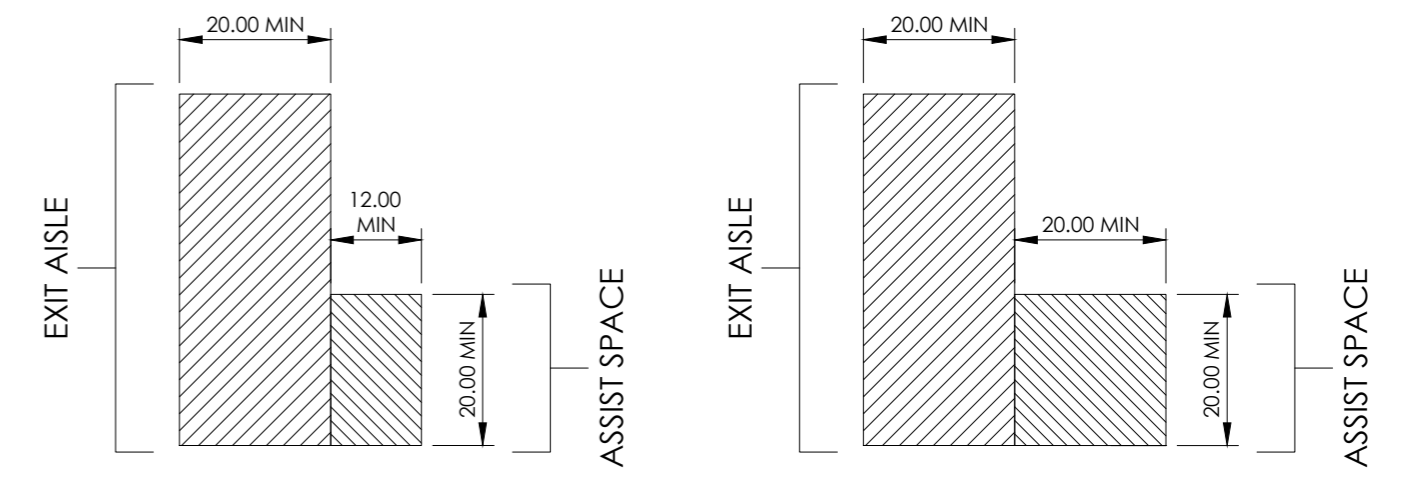
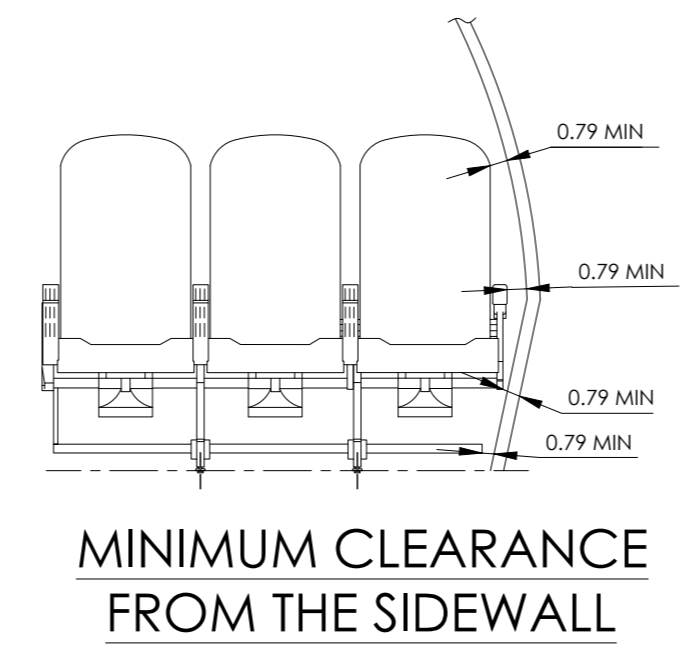
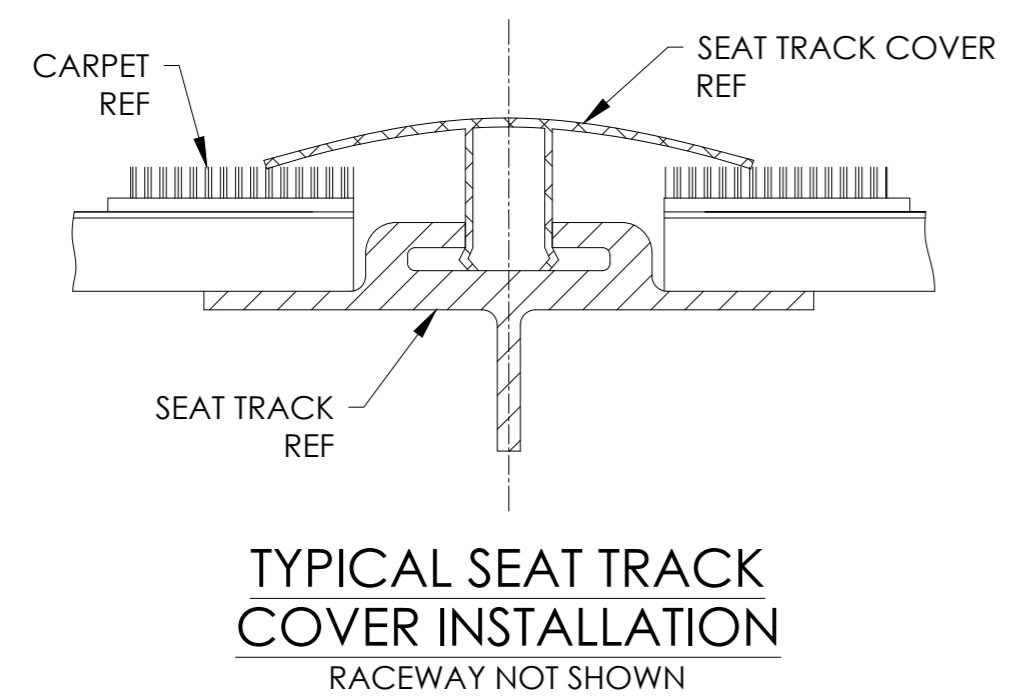
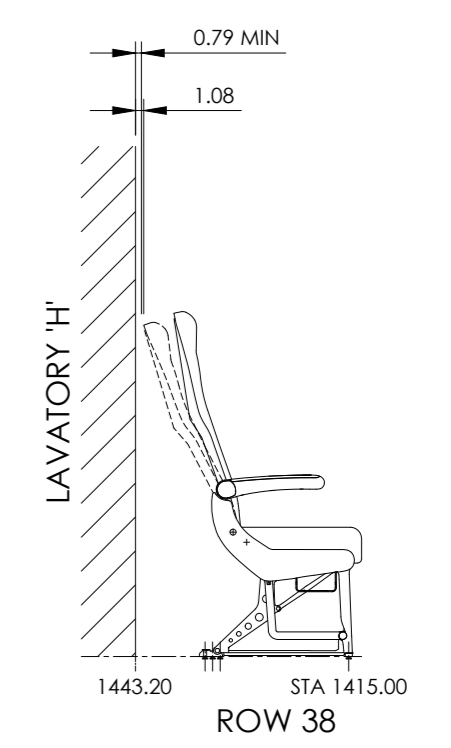
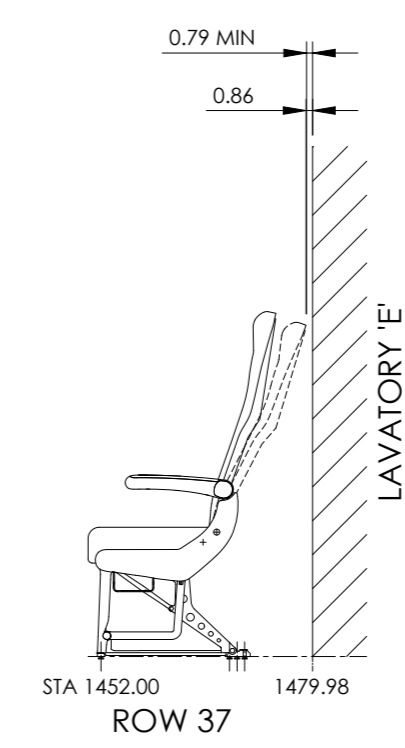
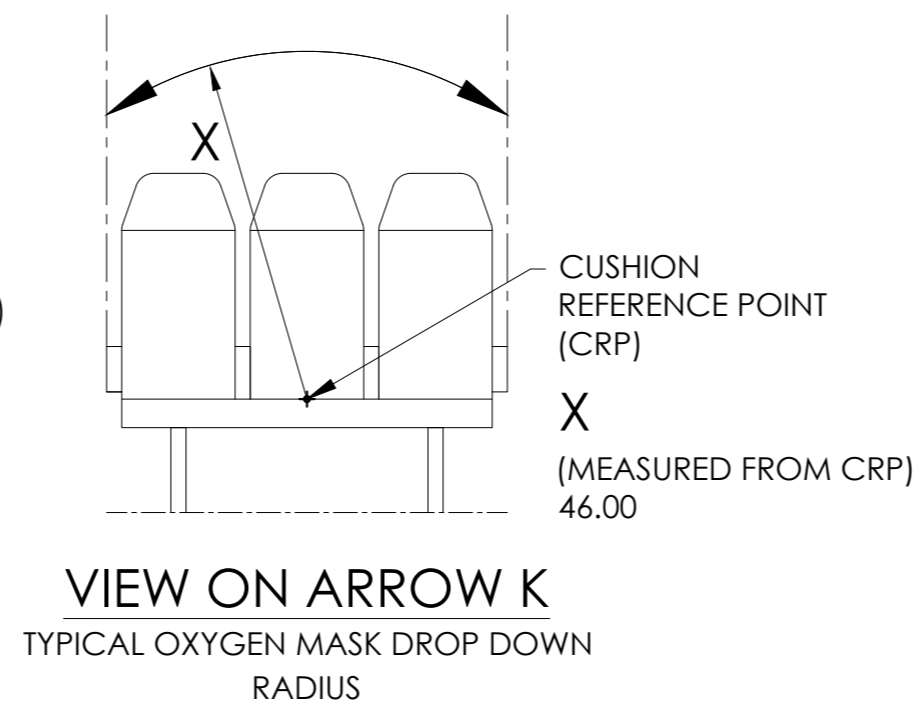
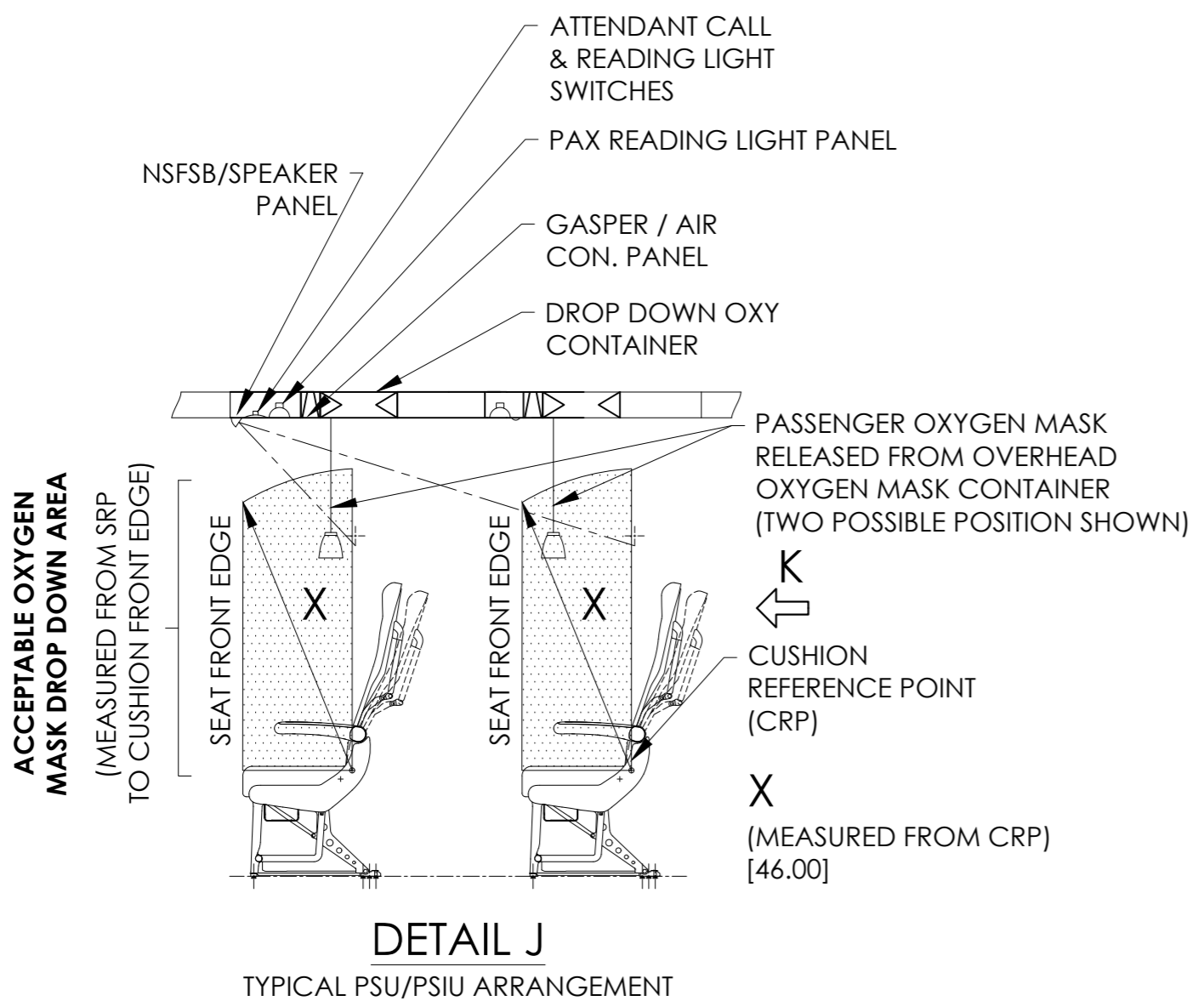
L/H DOOR 3 EXIT PASSAGEWAY (INBOARD)
IAW JAR 25.813 & AIRBUS FRAME SPECIFICATION NO.
2521 M1F 1000 00



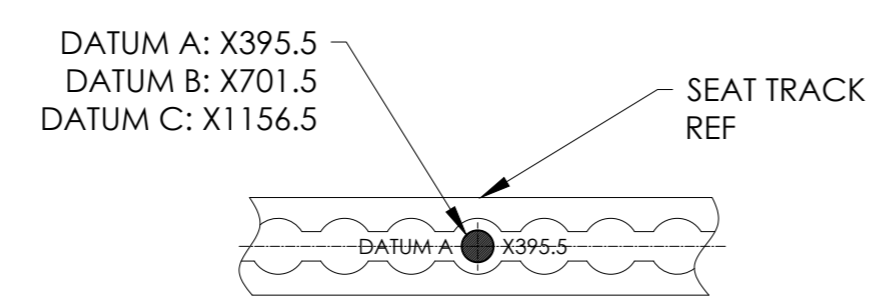
DETAIL G

L/H DOOR 3 EXIT PASSAGEWAY (OUTBOARD)
IAW JAR 25.813 & AIRBUS FRAME SPECIFICATION NO.
2521 M1F 1000 00

	WWW.THISDOA.EU INFO@THISDOA.EU PHONE: +353 15 269768	AIRCRAFT: AIRBUS A321-231	MANUFACTURING TOLERANCES: SHEET WORK: ±0.30 MACHINING: ±0.20 ANGULAR: ±0.50 (UNLESS OTHERWISE SPECIFIED)	DRAWN BY: SEE JCAERO/ECN/2772	
	MSN: 02255, 02261	REGISTRATION: -	SCALE: NTS SIZE: A2	ALL DIMENSIONS ARE INCHES THIRD ANGLE PROJECTION	CHECKED BY: SEE JCAERO/ECN/2772
	TITLE: 220 PAX [220Y] LAYOUT OF PASSENGER ACCOMODATION				
	DRAWING NUMBER: ART252JCAERO2772			SHEET 3 OF 4	REV. B



IAW JAR 25.813 EMERGENCY EXIT ACCESS AND EASE OF OPERATION & AIRBUS FRAME SPECIFICATION NO. 2521 M1F 1000 00



	WWW.THISDOA.EU INFO@THISDOA.EU PHONE: +353 15 269768	AIRCRAFT: AIRBUS A321-231	MANUFACTURING TOLERANCES: (UNLESS OTHERWISE SPECIFIED) SHEET WORK: ±0.30 MACHINING: ±0.20 ANGULAR: ±0.50	DRAWN BY: SEE JCAERO/ECN/2772	
	MSN: 02255, 02261	REGISTRATION: -	SCALE: NTS SIZE: A2	ALL DIMENSIONS ARE INCHES THIRD ANGLE PROJECTION	CHECKED BY: SEE JCAERO/ECN/2772
	TITLE: 220 PAX [220Y] LAYOUT OF PASSENGER ACCOMODATION				
	DRAWING NUMBER: ART252JCAERO2772			SHEET 4 OF 4	REV. B