

## GENERAL NOTES:

1. ALL DIMENSIONS SHOWN IN INCHES.
2. SEAT POSITIONS ARE REFERENCED FROM CENTERLINE OF FRONT LEG SEAT TRACK STUD.
3. FOR ADDITIONAL SEAT INFORMATION REFER TO SEAT CMM 25-20-46 Rev 5.
4. INSTALL SEAT TRACK CAPPING (ITEM 15) IN EXPOSED TRACK AREAS TO ACCOMMODATE NEW SEAT LOCATIONS.
5. DO NOT SCALE FROM DRAWING. USE ONLY DIMENSIONS INDICATED. REPORT ANY ERRORS OR OMISSIONS TO PARC AVIATION ENGINEERING SERVICES, (PH: +353 1 8161777 OR EMAIL parcdesign@cae.com)

## FLAG NOTES:

1. > LIMITED RECLINE THIS SEAT ROW
2. > NO RECLINE THIS SEAT ROW.
3. > NO BREAKOVER THIS SEAT ROW.

Completed By	Checked By	CVE By	Date	Revision Notes:	Revision
J.Mulvaney	D.Harley	L.Curry	01 Nov 2019	Initial Issue	00

ABBREVIATIONS		PARTS LIST			
		ITEM	PART NUMBER	DESCRIPTION	QTY.
IAT	IN ARM TRAY	8	882157-428	RH STD TPL, EXIT, NO RECLINE, NO OUTBD ARM, 0" RECL	1
OUTBD	OUTBOARD	7	882157-427	LH STD TPL, EXIT, NO RECLINE, NO OUTBD ARM, 0" RECL	1
F/R	FRONT ROW	6	882157-426	RH STD TPL, FWD EXIT, OUTBD PAX LIMITED RECLINE, 3" & 4" RECL	1
RECL	RECLINE	5	882157-425	LH STD TPL, FWD EXIT, OUTBD PAX LIMITED RECLINE, 3" & 4" RECL	1
NARR	NARROW	4	882157-424	RH STD TPL, 4" RECL	24
STD	STANDARD	3	882157-423	LH STD TPL, 4" RECL	24
TPL	TRIPLE	2	882157-422	RH F/R TPL, IAT, 4" RECL	1
LH	LEFT HAND	1	882157-421	LH F/R TPL, IAT, 4" RECL	1
RH	RIGHT HAND				
		15	ABS5643AA29-21	SEAT TRACK CAPPING	A/R
		14	882157-418	RH STD TPL, NARR AFT, 4" RECL	1
		13	882157-417	LH STD TPL, NARR AFT, 4" RECL	1
		12	882157-412	RH STD TPL, NARR, 4" RECL	1
		11	882157-411	LH STD TPL, NARR, 4" RECL	1
		10	882157-430	RH STD TPL, AFT EXIT, NO OUTBD ARM, 4" RECL	1
		9	882157-429	LH STD TPL, AFT EXIT, NO OUTBD ARM, 4" RECL	1

MSN 3361, 3396,  
3425, 3475

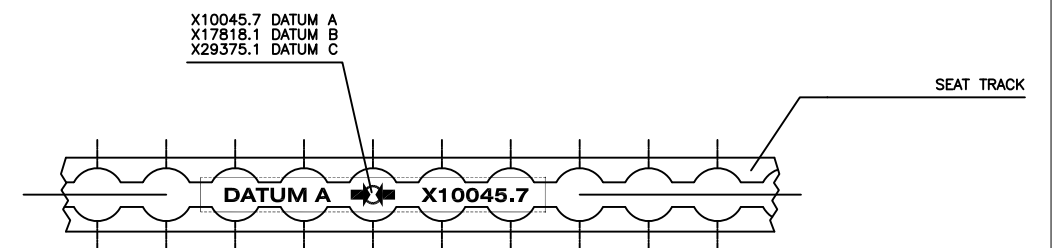
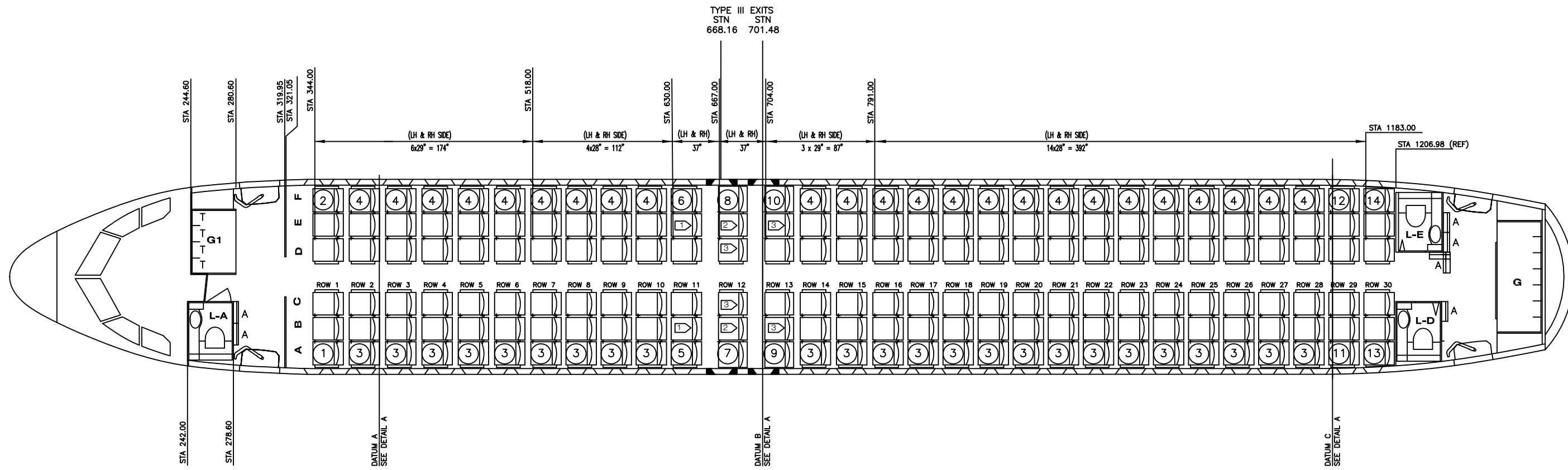
EFFECTIVITY




Form DOF-106  
Issue J  
Unit 2.1, Block 2,  
Woodford Business Park,  
Santry, Dublin D17 E925,  
Ireland  
Tel: +353 1 816 1700  
Email: parcdesign@cae.com

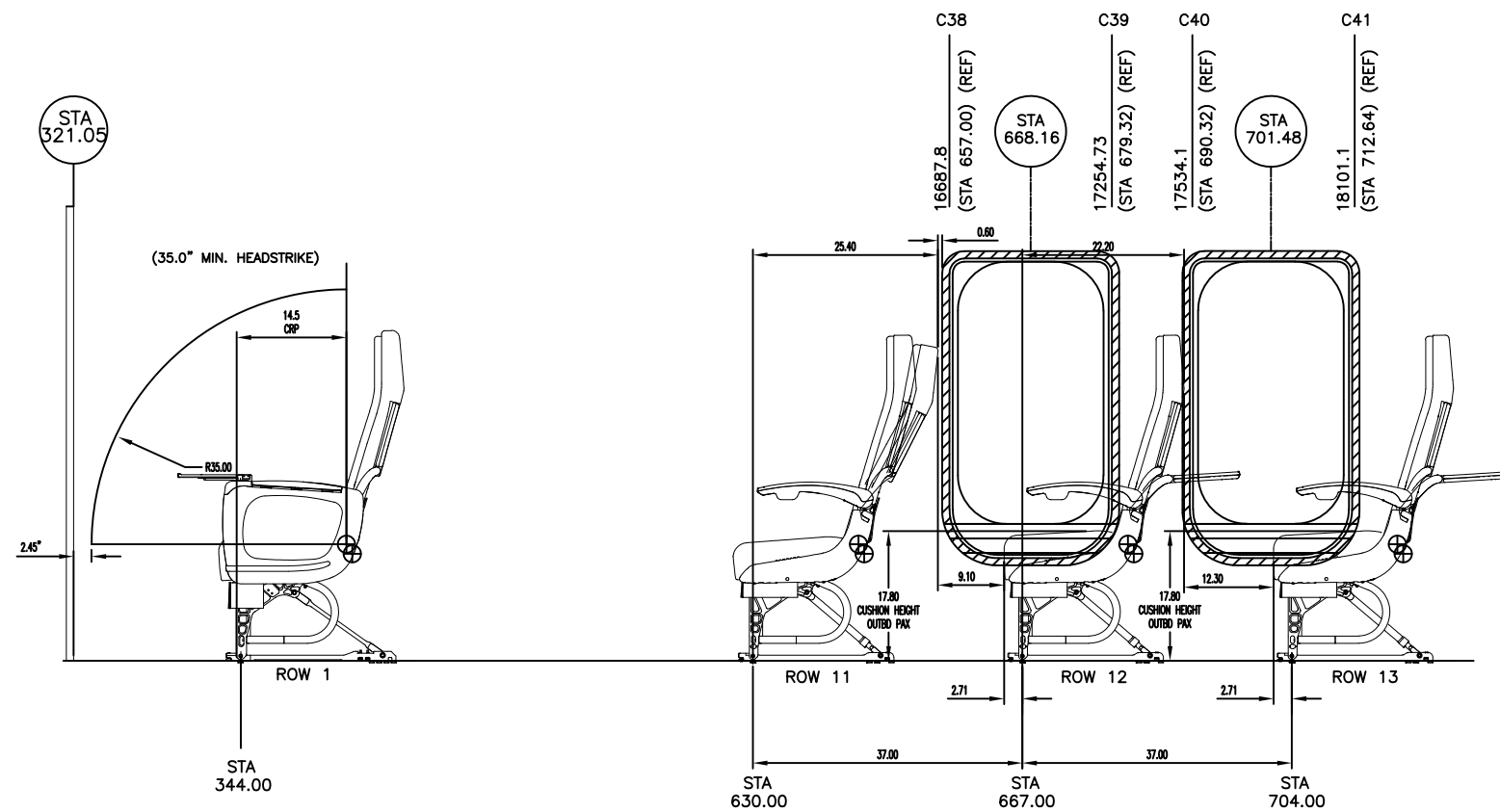
Drawing Title:	LAUDAMOTION LOPA INSTALLATION DRAWING	Scale:	NTS
Drawing No.:	320-25296-DWG-01	Units:	INCHES
		Revision:	00
		Sheet:	1 OF 3

© Copyright of this drawing and the information herein are property of CAE Parc Aviation. This drawing is provided in confidence and shall not be disclosed to any third party without the prior written consent of CAE Parc Aviation.



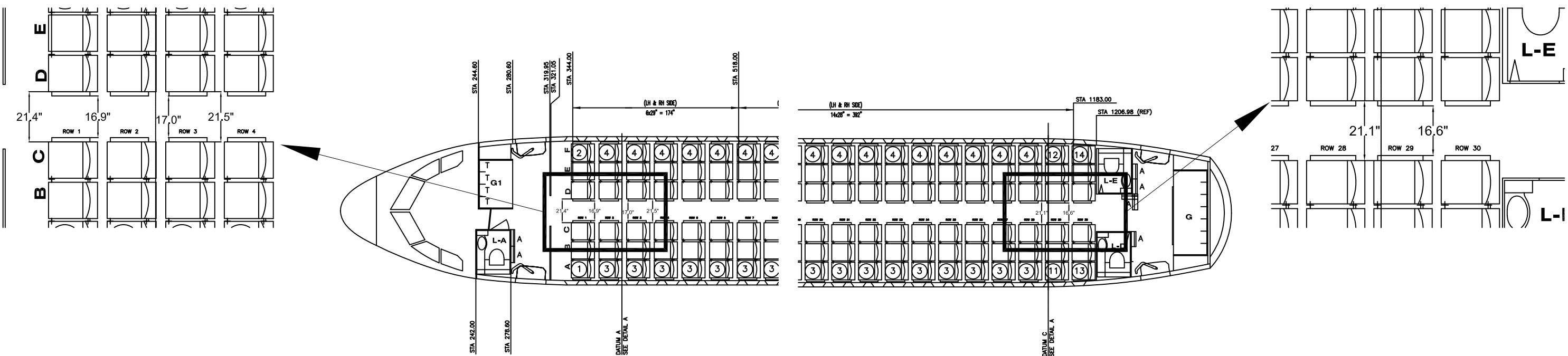
DETAIL "A"  
(NOT TO SCALE)

		Form DOF-100 Issue J	Unit 2.1, Block 2, Woodford Business Park, Santry, Dublin D17 E925, Ireland Tel: +353 1 816 1700 Email: parcdesign@cae.com
Drawing Title: <b>LAUDAMOTION LOPA INSTALLATION DRAWING</b>		Scale: <b>NTS</b>	Revisors: <b>00</b>
Drawing No.: <b>320-25296-DWG-01</b>		Units: <b>INCHES</b>	Sheet: <b>2</b>
<small>© Copyright of this drawing and the information herein are property of CAE Parc Aviation. This drawing is provided in confidence and shall not be disclosed to any third party without the prior written consent of CAE Parc Aviation.</small>			



**HEAD STRIKE CLEARANCE  
FRONT ROW**  
(LH SHOWN, RH OPPOSITE)

**EMERGENCY EXIT CLEARANCE**



**AISLE WIDTHS**  
(MOST ADVERSE LOCATIONS ONLY SHOWN)

		Form DOF-106	Unit 2.1, Block 2,
		Issue J	Woodford Business Park, Santry, Dublin D17 E925, Ireland Tel: +353 1 816 1700 Email: parcdesign@cae.com
Drawing Title:		Scale:	NTS
LAUDAMOTION LOPA INSTALLATION DRAWING		Units:	INCHES
Drawing No.:		Revisors:	00
320-25296-DWG-01		Sheet:	3

© Copyright of this drawing and the information herein are property of CAE Parc Aviation. This drawing is provided in confidence and shall not be disclosed to any third party without the prior written consent of CAE Parc Aviation.