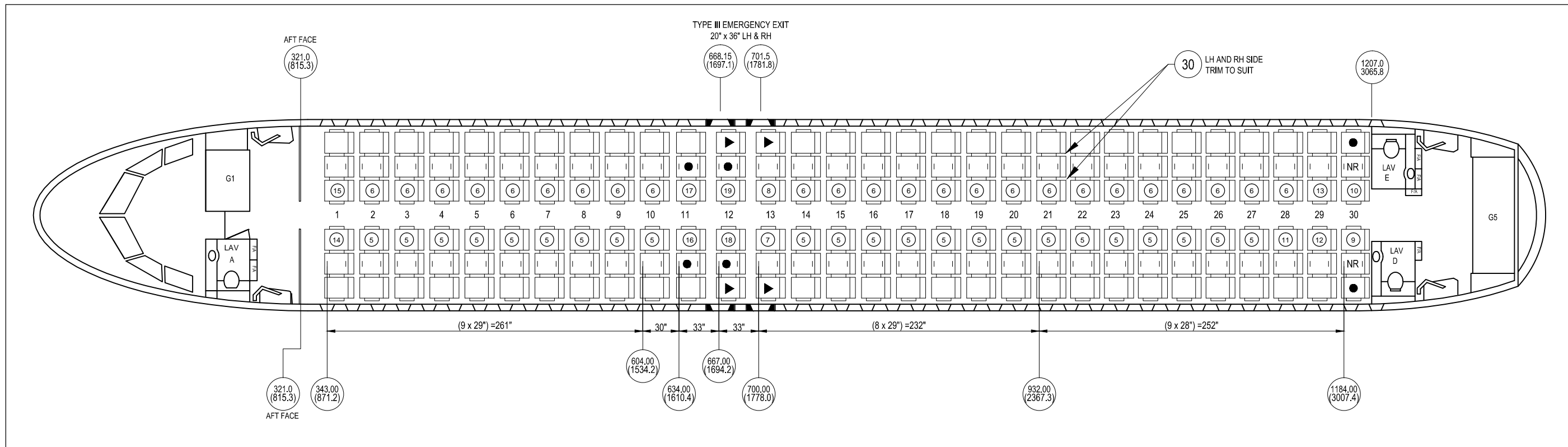


THIRD ANGLE PROJECTION DO NOT SCALE ALL DIMENSIONS IN INCHES UNLESS OTHERWISE STATED

DRG No ERT/ 0986-201



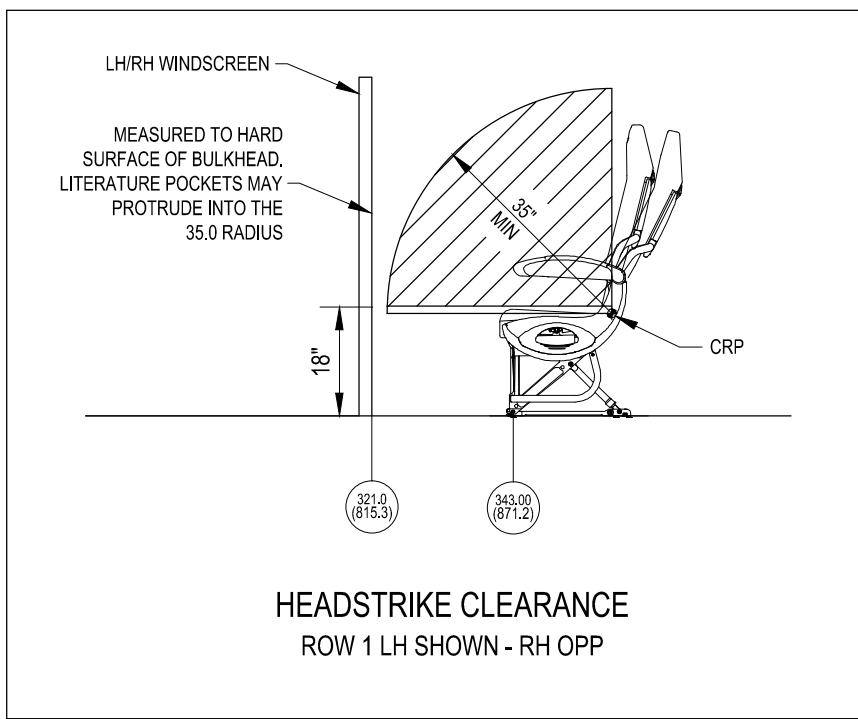
1 INSTL - 180Y PAX LOPA INSTL - A320

LEGEND

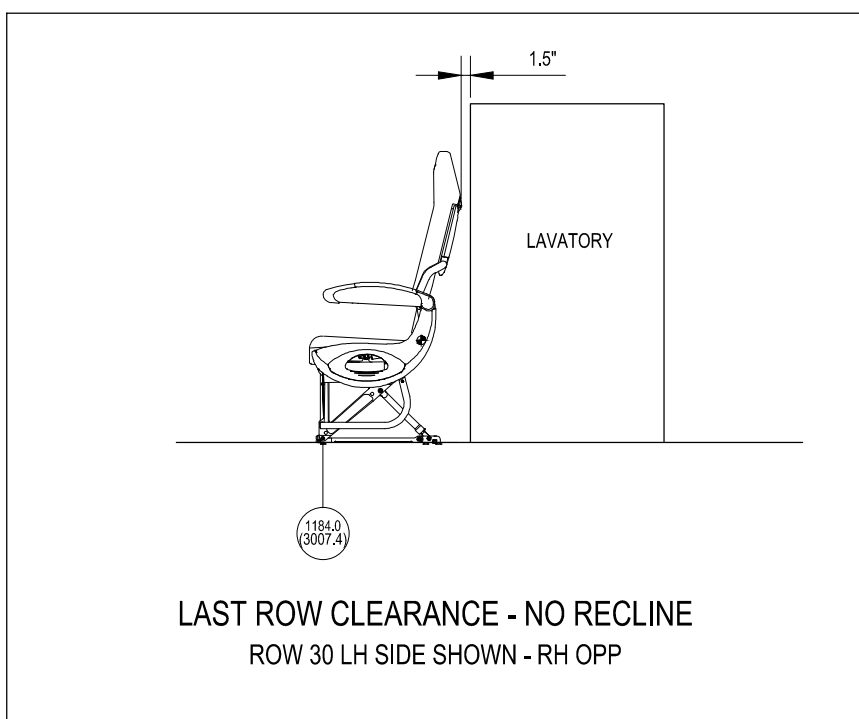
- = NO RECLINE
- ▶ = NO BREAKOVER
- NR = NARROW SEAT
- IN (CM) = STATION POINT REF
- F/A = FLIGHT ATTENDANT SEAT

Tolerances Sheetwork ± 0.5mm Machining ± 0.1mm Angles ± 0.5° (Unless otherwise stated)		© COPYRIGHT BRITISH AVIATION SERVICES 2017 INFORMATION CONTAINED HEREIN IS UNCLASSIFIED AND NOT BE REPRODUCED BY ANY THIRD PARTY WITHOUT THE WRITTEN PERMISSION OF BRITISH AVIATION SERVICES LTD.	
Title 180Y PAX LOPA INSTL - A320			
Aircraft Type A320	Drawing Issue No. 1	Scale NTS	DRG No. ERT/ 0986-201
			REV 2 OF 3

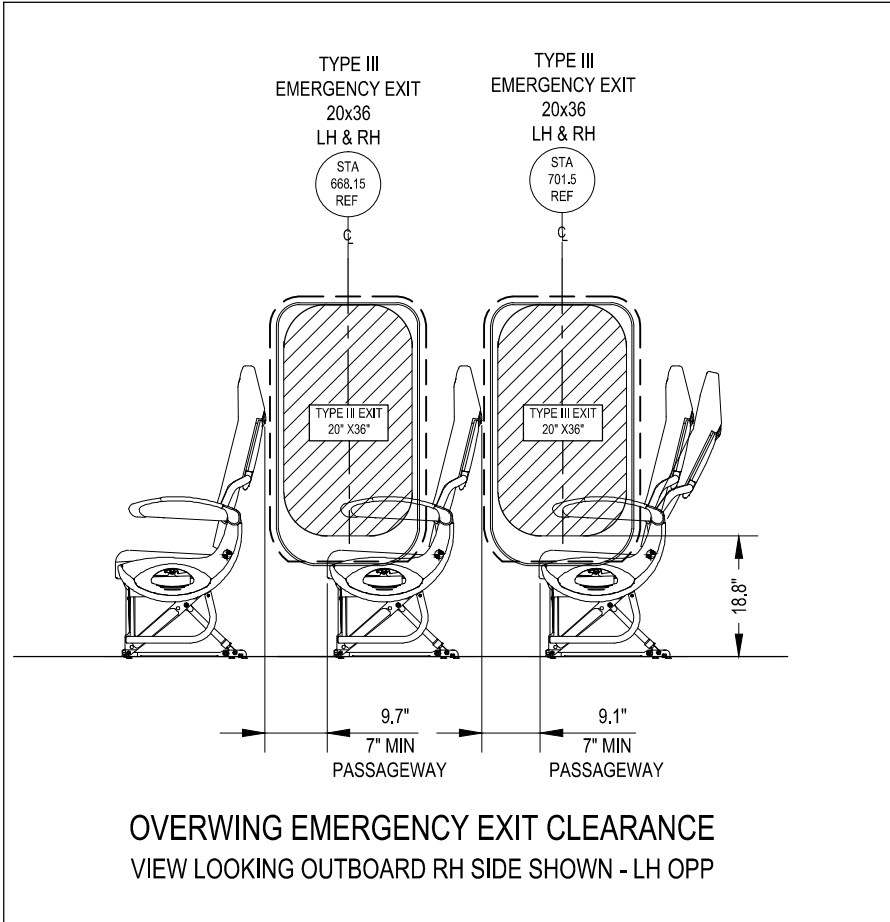
THIRD ANGLE PROJECTION DO NOT SCALE ALL DIMENSIONS IN INCHES UNLESS OTHERWISE STATED



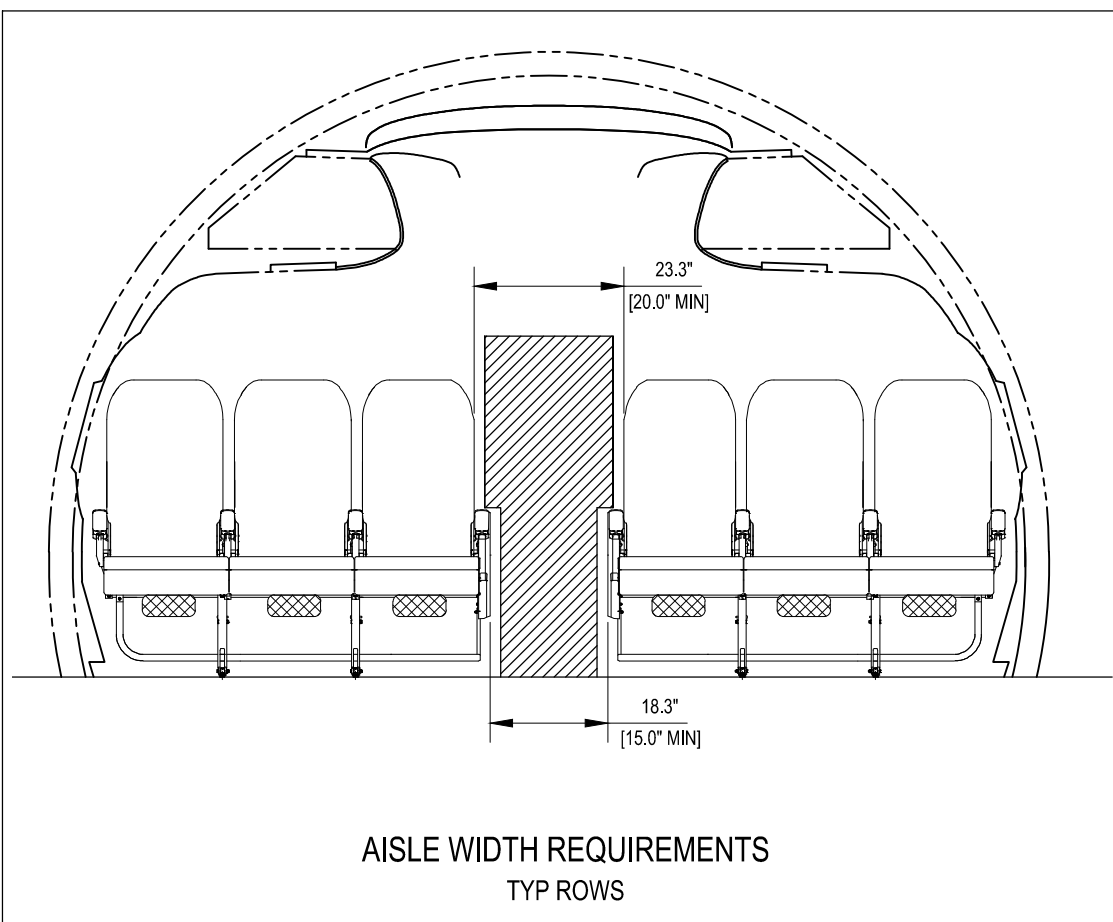
HEADSTRIKE CLEARANCE
ROW 1 LH SHOWN - RH OPP



LAST ROW CLEARANCE - NO RECLINE
ROW 30 LH SIDE SHOWN - RH OPP



OVERWING EMERGENCY EXIT CLEARANCE
VIEW LOOKING OUTBOARD RH SIDE SHOWN - LH OPP



AISLE WIDTH REQUIREMENTS
TYP ROWS

Tolerances Sheetwork ± 0.5mm Machining ± 0.1mm Angles ± 0.5° (Unless otherwise stated.)		COPYRIGHT © BRITISH AVIATION COMMERCIAL INFORMATION CONTAINED HEREIN IS UNCLASSIFIED EXCEPT WHERE SHOWN OTHERWISE. ALL RIGHTS RESERVED. REPRODUCTION BY ANY THIRD PARTY WITHOUT THE WRITTEN CONSENT OF BRITISH AVIATION SERVICES LTD.		
Title: 180Y PAX LOPA INSTL - A320				
Aircraft Type: A320	Drawing Issue No: 1	Scale: NTS	DRG No. ERT/ 0986-201	
			ISS 3	CR 3