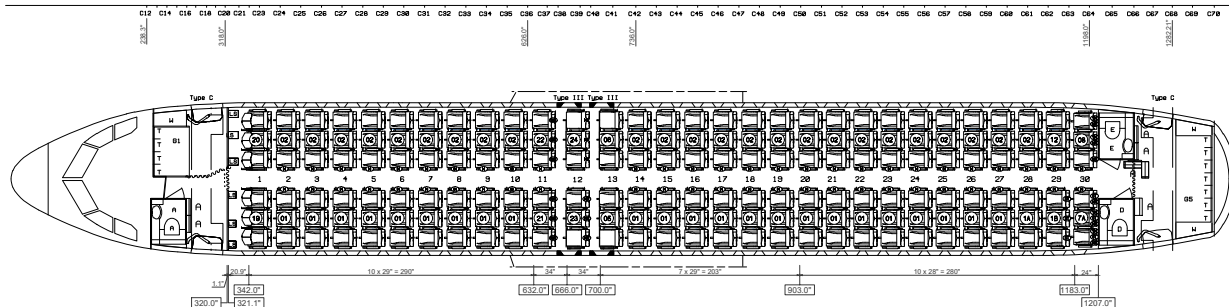


NOTES:

1. REARRANGEMENT OF AIRCRAFT LAYOUT OF PASSENGER ACCOMMODATIONS IS TO BE PERFORMED IAW THIS DRAWING AND INSTRUCTIONS SHOWN ON AIRE SERVICE BULLETIN NO. A320C141-SB001
2. AISLE WIDTHS MUST MEET REQUIREMENTS SET FORTH IN EASA §25.815
3. EMERGENCY EXITS MUST BE ACCESSIBLE PER EASA §25.813
4. EMERGENCY EXITS MUST BE MARKED IN ACCORDANCE WITH EASA §25.811
5. ALL LIFE VESTS MUST CONFORM TO J/E/TSO C-13
6. CREW OXYGEN MASKS MUST MEET ALL REQUIREMENTS IN EASA CS 25.1439
7. STORAGE PROVISIONS FOR ALL EMERGENCY EQUIPMENT MUST BE MARKED TO IDENTIFY THEIR CONTENTS IAW EASA §25.1561
8. "FASTEN SEAT BELT" AND "NO SMOKING" SIGNS MUST BE VISIBLE TO EACH PERSON SEATED IN THE PASSENGER CABIN
9. ALL SEAT BACKS AND BULKHEADS MUST HAVE "FASTEN SEAT BELT WHILE SEATED" PLACARD
10. SEAT REFERENCE LINE IS TAKEN FROM POINT OF ATTACHMENT TO AIRCRAFT SEAT TRACKS
11. ALL SEATS MUST CONFORM TO RESPECTIVE TSO/ETSO
12. TIGHTEN THE REAR TRACK FITTING FASTENER AS PER SEATS' RESPECTIVE CMM INDICATION.
13. INSTALLATION AND SEATS TOLERANCE AS PER CMM
14. INSTALL SEAT ROW PLACARDS IAW AMM.

POST-INSTALLATION NOTES:

- A. ENSURE EACH OXYGEN MASK DROPS WITHIN THE REQUIRED ZONE ABOVE PASSENGER SEAT
- B. ENSURE NO SMOKING/FASTEN SEAT BELT SIGN IS VISIBLE TO EACH PASSENGER WHILE SEATED
- C. ENSURE EMERGENCY ESCAPE PATH MARKING IS DIRECTLY VISIBLE ALONG THE WHOLE PASSENGER CABIN AND ALSO NO OBJECT OR CARPET COVERS IT AT ANY POINT OF EMERGENCY EXIT AISLES
- D. REQUIRED AISLE WIDTH DIMENSIONS IN COMPLIANCE WITH EASA CS25
- E. SEATS AT FIRST ROWS ARE TO HAVE MINIMUM HEADSTRIKE CLEARANCE OF 35" FROM SEAT REFERENCE POINT
- F. ENSURE THAT EACH SEAT HAS LIFE VEST INSTALLED.
- G. MAKE SURE THAT LIFE VEST LOCATION IS PROPERLY INDICATED IN A VISIBLE PLACE



REVISIONS

ISSUE	DATE	REASON OF CHANGE	PREPARED BY	VERIFIED BY
1	05/08/2022	Initial Issue	DESIGN OFFICE	CVE

SEATS - PART LIST

ITEM	PART NUMBER	DESCRIPTION	QTY
01	3146312-001	STD TRIPLE SEAT ASSY LH	23
02	3146302-002	STD TRIPLE SEAT ASSY RH	24
05	3146312-005	STD TRIPLE SEAT ASSY LH NO ARMREST OUTBOARD, SPREADER WITH SAFETY SUPPORT, GAP PANS	1
06	3146302-006	STD TRIPLE SEAT ASSY RH NO ARMREST OUTBOARD, SPREADER WITH SAFETY SUPPORT, GAP PANS	1
7A	3146310-07A	STD TRIPLE SEAT ASSY LH NR, STRETCHER, SPECIAL SPREADER OUTBOARD, NO BACKREST TABLE, NARROW CENTER PAX, NARROW PAX OUTBOARD	1
08	3146300-008	STD TRIPLE SEAT ASSY RH, NR, SPECIAL SPREADER OUTBOARD, NO BACKREST TABLE, NARROW CENTER PAX, NARROW PAX OUTBOARD	1
1A	3146312-01A	STD TRIPLE SEAT ASSY LH STRETCHER	1
1B	3146312-01B	STD TRIPLE SEAT ASSY LH, STRETCHER, SPECIAL SPREADER OUTBOARD	1
12	3146302-012	STD TRIPLE SEAT ASSY RH, SPECIAL SPREADER OUTBOARD	1
19	3146313-019	IAT TRIPLE SEAT ASSY LH RECLINE	1
20	3146303-020	IAT TRIPLE SEAT ASSY RH RECLINE	1
21	3146310-021	STD TRIPLE SEAT ASSY LH NR SPECIAL BACKREST TABLE LATCH	1
22	3146300-022	STD TRIPLE SEAT ASSY RH NR SPECIAL BACKREST TABLE LATCH	1
23	3146310-023	STD TRIPLE SEAT ASSY LH, NO ARMREST OUTBOARD, NR, SPREADER WITH SAFETY SUPPORT, GAP PANS, SPECIAL BACREST TABLE LATCH	1
24	3146300-024	STD TRIPLE SEAT ASSY RH, NO ARMREST OUTBOARD, NR, SPREADER WITH SAFETY SUPPORT, GAP PANS, SPECIAL BACREST TABLE LATCH	1

DRAWING INFORMATION:
This drawing is property of AIRE SL. It is issued on the condition that it is not copied, reproduced or disclosed to a third party either whole or in part without the consent in writing of AIRE SL

		TITLE: LAYOUT OF PASSENGER ACCOMMODATIONS IN AIRBUS A320 MSN 5348 & 5407	
		PREPARED BY: DESIGN OFFICE	REFERENCE: DWG-A320C141-LOPA
SIGNATURE ON SHEET 1	AIRCRAFT TYPE: AIRBUS A320-232	SCALE: N/A	SHEET: 1/3 ISSUE: 1

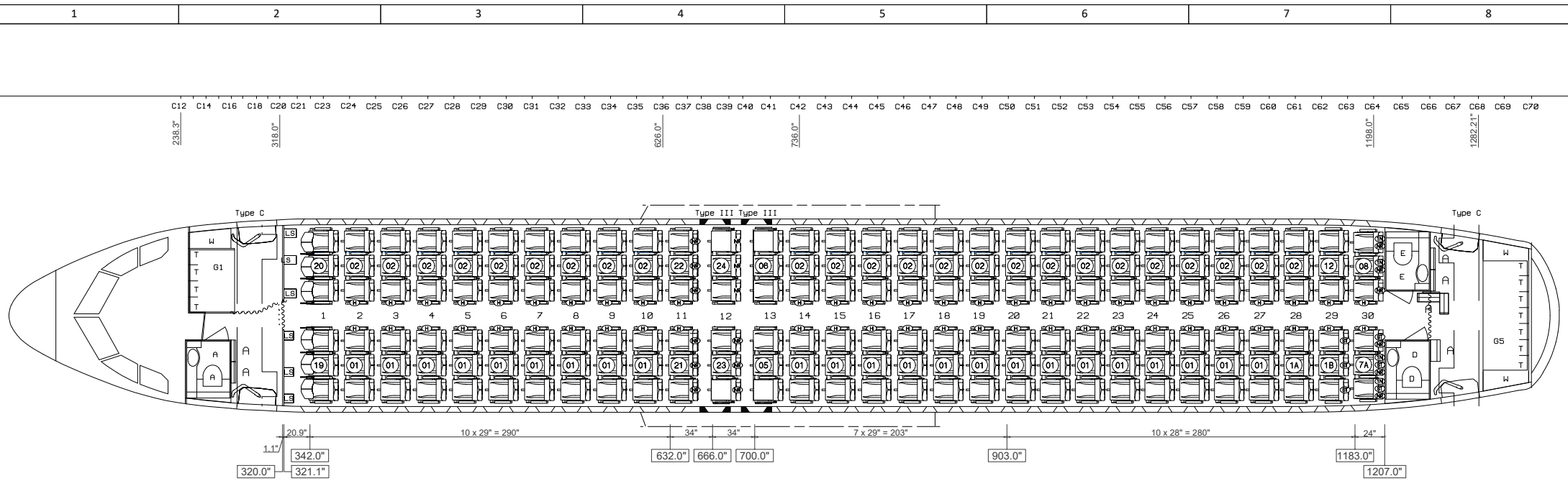


FIGURE 2-E1. LAYOUT OF PASSENGER ACCOMMODATIONS

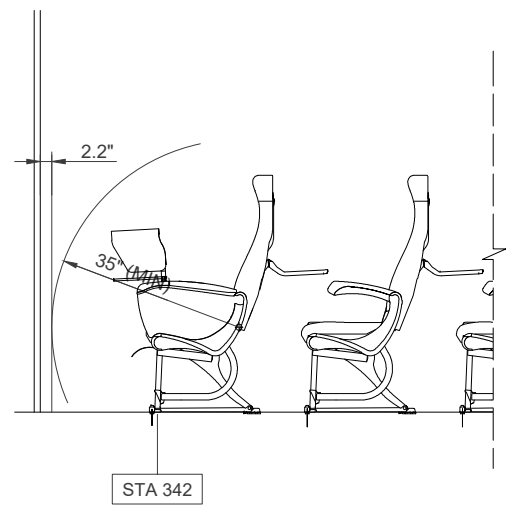


FIGURE 2 - C1. FIRST ROW - MINIMUM DISTANCE TO BULKHEAD - HIC ARCUS

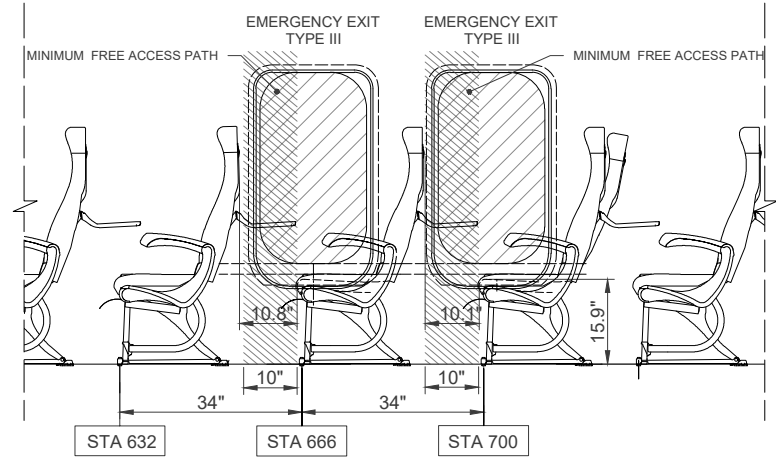


FIGURE 2 - C3. PASSENGER SEATS LOCATION IN OVERWING AREA - EMERGENCY EXITS FREE ACCESS PATH

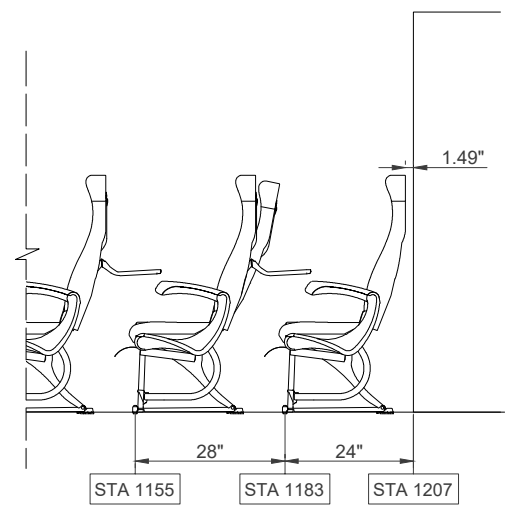


FIGURE 2 - C6. LAST ROW - DISTANCE TO LAVATORIES D & E

(REFER TO SHEET 1 FOR FURTHER INFORMATION)

ST	STRETCHER LOCATION
1N	NARROW SEAT
NR	NO RECLINE
H	HANDICAPPED ARMREST

DRAWING INFORMATION:
 This drawing is property of AIRE SL. It is issued on the condition that it is not copied, reproduced or disclosed to a third party either whole or in part without the consent in writing of AIRE SL

	TITLE: LAYOUT OF PASSENGER ACCOMMODATIONS IN AIRBUS A320 MSN 5348 & 5407	
	PREPARED BY: DESIGN OFFICE	REFERENCE: DWG-A320C141-LOPA
SIGNATURE ON SHEET 1	AIRCRAFT TYPE: AIRBUS A320-232	SHEET: 2/3 ISSUE: 1

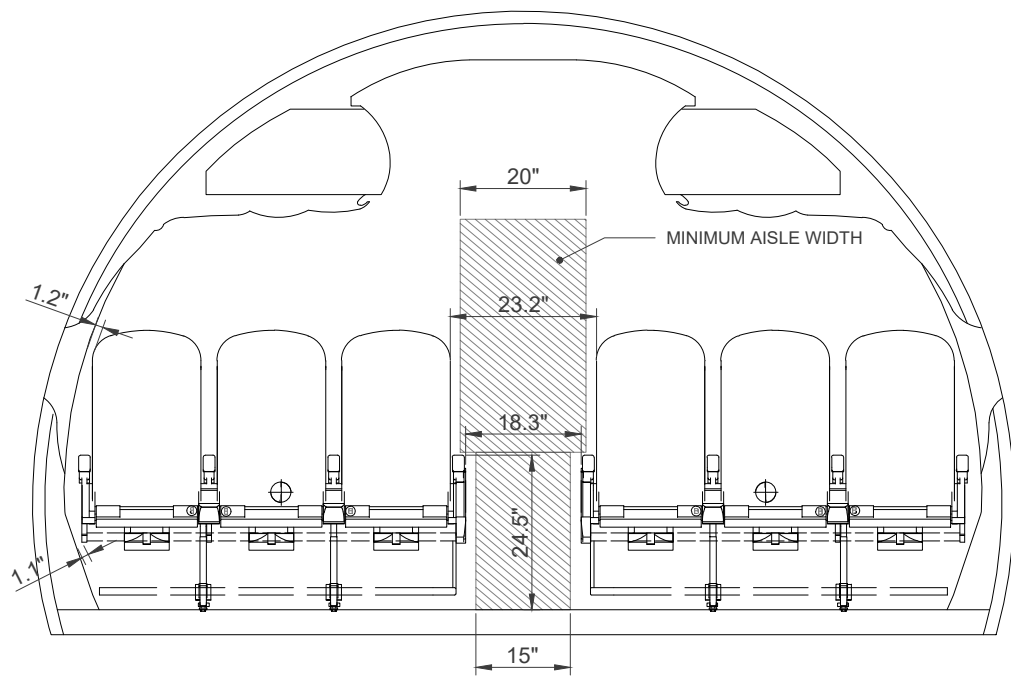


FIGURE 3 - D1. CONSTANT SECTION FRONT VIEW - MINIMUM AISLE WIDTH REQUIREMENTS

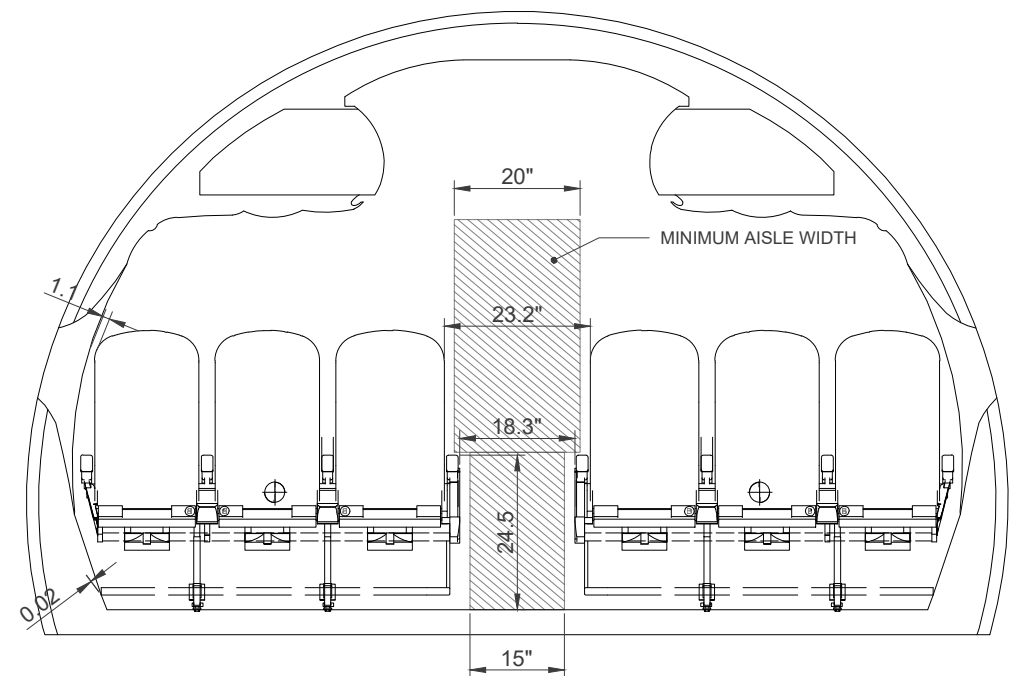


FIGURE 3 - D5. CABIN NARROW SECTION FRONT VIEW (C64) - MINIMUM AISLE WIDTH REQUIREMENTS

(REFER TO SHEET 1 FOR FURTHER INFORMATION)

<p>DRAWING INFORMATION: This drawing is property of AIRE SL. It is issued on the condition that it is not copied, reproduced or disclosed to a third party either whole or in part without the consent in writing of AIRE SL</p>			<p>TITLE: LAYOUT OF PASSENGER ACCOMMODATIONS IN AIRBUS A320 MSN 5348 & 5407</p>
	<p>PREPARED BY: DESIGN OFFICE</p>	<p>REFERENCE: DWG-A320C141-LOPA</p>	<p>DIM: in SCALE: N/A</p>
	<p>SIGNATURE ON SHEET 1</p>	<p>AIRCRAFT TYPE: AIRBUS A320-232</p>	<p>SHEET: 3/3 ISSUE: 1</p>