
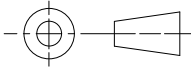


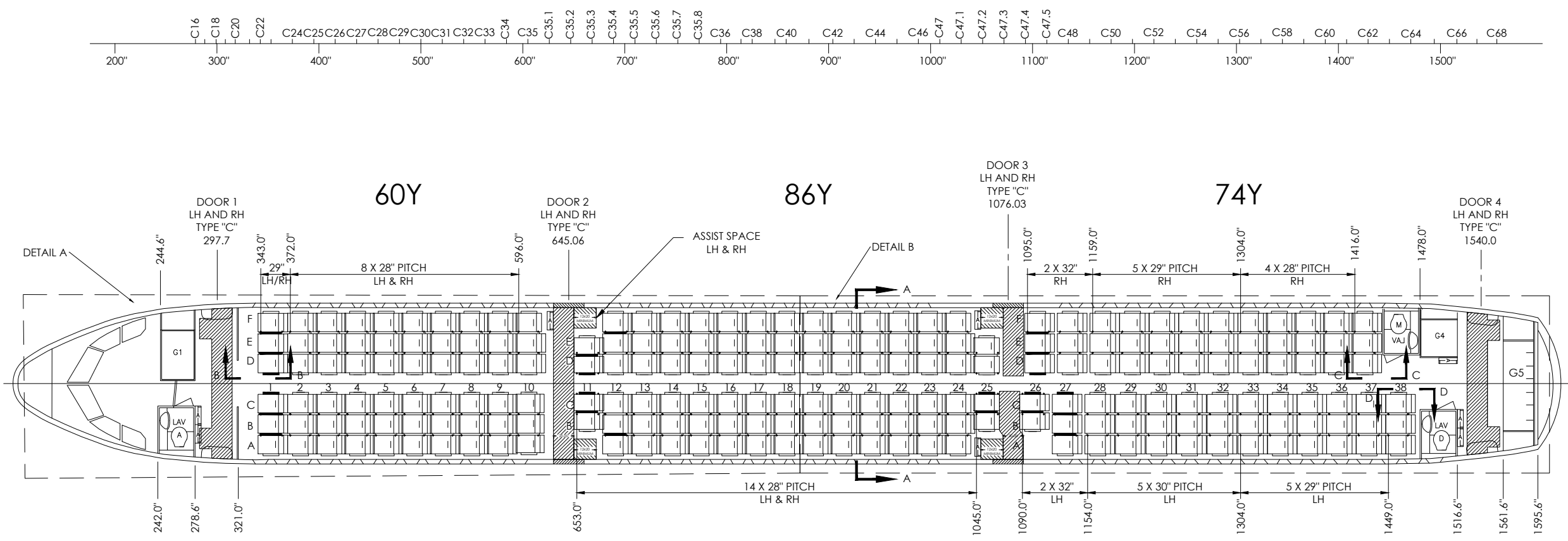
**NOTES:**

1. INTERPRET DRAWINGS PER MIL-STD-130.
2. INTERPRET DIMENSIONS AND TOLERANCES PER ANSI Y14.5M.
3. AISLE WIDTH MUST SATISFY CFR 25.815:  
-15" OR MORE FROM FLOOR UP TO 25" HEIGHT.  
-20" OR MORE ABOVE 25" HEIGHT.
4. ALL SEATS MUST COMPLY WITH TSO C127a, CFR 25.853 AND CONTAIN FAA APPROVED UNDER-SEAT BAGGAGE RESTRAINT BARS.
5. INSTALL SEATS IN ACCORDANCE WITH AIRBUS 321 MAINTENANCE MANUAL.
6. ALL SEAT FUSELAGE STATION LOCATIONS ARE TO CENTERLINE OF THE FORWARD SEAT STUD.
7. ASSIST SPACE: 12" x 20".
8. IF REQUIRED, RESTRICT RECLINE PER ZODIAC CMM 25-20-46.
9. ALL THE INTERIOR ITEMS NOT SPECIFICALLY CALLED OUT IN THE BILL OF MATERIALS ARE EXISTING IN THE AIRCRAFT.
10. A MINIMUM DISTANCE FROM BULKHEAD TO FORWARD FACE OF SEAT BACKREST DIRECTLY AFT OF BULKHEAD IS 35". IN ACCORDANCE WITH FAA AC 25-17, SECTION 25.785, 81 (b) (3) PARAGRAPH (c) (2).
11. EACH STORAGE COMPARTMENT MUST BE PLACARDED FOR ITS DESIGN WEIGHT EXCEPT AS SPECIFIED IN CFR 25.1557.
12. OXYGEN MASK LINE MUST NOT BE FORWARD OF SEAT BACK IN FULLY RECLINED POSITION.
13. ALL SEATS MUST BE FIRE BLOCKED IN ACCORDANCE WITH CFR 25.853.
14. ALL LIFE VESTS MUST CONFORM TO TSO C-13.
15. "NO SMOKING" AND "FASTEN SEAT BELT" SIGNS MUST BE VISIBLE WHEN ILLUMINATED TO EACH PERSON SEATED IN THE PASSENGER CABIN.
16. EACH DISPOSAL RECEPTACLE MUST BE MARKED IN ACCORDANCE WITH FAR 25.791(c) (NO CIGARETTE DISPOSAL).
17. LAVATORY DOORS MUST BE MARKED AND PROVISIONED IN ACCORDANCE WITH FAR 25.791(d) (NO SMOKING) AND FAR 25.853(g), (ASH TRAYS).
18. ALL SEAT BACKS AND BULKHEADS MUST HAVE "FASTEN SEAT BELT WHILE SEATED" PLACARDS.
19. ARMRESTS IN UPRIGHT POSITION MUST NOT PROJECT BEYOND SEAT BACK IN UPRIGHT POSITION MORE THAN 0.5". TYPICAL FOR ALL SEATS.
20. MINIMUM 60" BETWEEN ATTENDANT SEAT CRP AND PASSENGER SEAT CRP. THE USE OF CRP COINCIDES WITH THE WORDING IN ADVISORY CIRCULAR AC25.785-1.
21. REQUIRED UNOBSTRUCTED EXIT OPENING. UNOBSTRUCTED SPACE BETWEEN EXIT AND DOUBLE SEAT(S) AT EXIT MUST NOT BE LESS THAN THE WIDTH OF A SINGLE PASSENGER SEAT PLACE.

1	18	3520D964-32-041	SEAT ASSY, RH TPL, LAST ROW, NO TRAY TABLES	N/A
1	17	3520D964-32-121	SEAT ASSY, RH TPL, NRW	N/A
1	16	3520D964-32-111	SEAT ASSY, RH TPL, NRW	N/A
1	15	3520D964-22-011	SEAT ASSY, RH DBL, STD, FWD EXIT, NO REC	N/A
1	14	3520D964-32-031	SEAT ASSY, RH TPL, AFT ROW, FWD EXIT, NO OUTBD REC	N/A
1	13	3520D964-32-231	SEAT ASSY, RH TPL, AFT EXIT, IAT OUTBD	N/A
1	12	3520D964-22-221	SEAT ASSY, RH DBL, AFT EXIT, IAT, NO B/OVR	N/A
1	11	3520D964-32-071	SEAT ASSY, RH TPL, AFT ROW, FWD EXIT, NO OUTBD REC	N/A
27	10	3520D964-32-011	SEAT ASSY, RH TPL, STD	N/A
2	9	3520D964-32-221	SEAT ASSY, RH TPL, F/R IAT	N/A
1	8	3520D964-31-091	SEAT ASSY, LH TPL, NRW, LAST ROW, NO TRAY TABLE	N/A
2	7	3520D950-21-511	SEAT ASSY, LH DBL, AFT EXIT, IAT, NO B/OVR	N/A
1	6	3520D964-31-051	SEAT ASSY, LH TPL, AFT ROW, FWD EXIT, NO OUTBD REC	N/A
1	5	3520D964-31-231	SEAT ASSY, LH TPL, AFT EXIT, IAT OUTBD	N/A
1	4	3520D964-21-221	SEAT ASSY, LH DBL, AFT EXIT, IAT, NO B/OVR	N/A
1	3	3520D964-31-071	SEAT ASSY, LH TPL, AFT ROW, FWD EXIT	N/A
29	2	3520D964-31-011	SEAT ASSY, LH TPL, STD	N/A
2	1	3520D964-31-221	SEAT ASSY, LH TPL, F/R IAT	N/A

QTY.	ITEM No.	PART NUMBER	KEYWORD/ DESCRIPTION	NOTE
		●	LOPA - 220Y PAX	

I/R	INITIAL ISSUE	BH	30/11/24
REV:	DESCRIPTION:	BY:	DATE:
 <p>THE INFORMATION CONTAINED IN THIS DRAWING IS THE PROPERTY OF AEROKNOW LTD. ANY REPRODUCTION IN PART OR AS A WHOLE WITHOUT THE WRITTEN PERMISSION OF AEROKNOW LTD IS PROHIBITED.</p>			
APPLICABILITY:		AIRBUS A321-200	
ASSEMBLED ON:		PR00547-MDL-001	
PROJECTION:  THIRD ANGLE PROJECTION			
LIMITS: DIMENSIONS ARE IN MILLIMETERS. UNLESS OTHERWISE SPECIFIED TOLERANCES ARE: 1 PLACE (0.0) = ± 0.3 2 PLACE (0.00) = ± 0.25 ANGULAR = ± 0.5°			
TITLE: <b>Layout of Passenger Accommodation Drawing</b>			
SCALE AT A3:	DATE:	DRAWN:	CHECKED:
NTS	30/11/24	BH	YD
PROJECT NO:	APPROVAL NO:	SHEET NO:	
PR00547	EASA.21J.791	1 OF 5	
DRAWING NO:			REVISION:
PR00547DWG-101			I/R

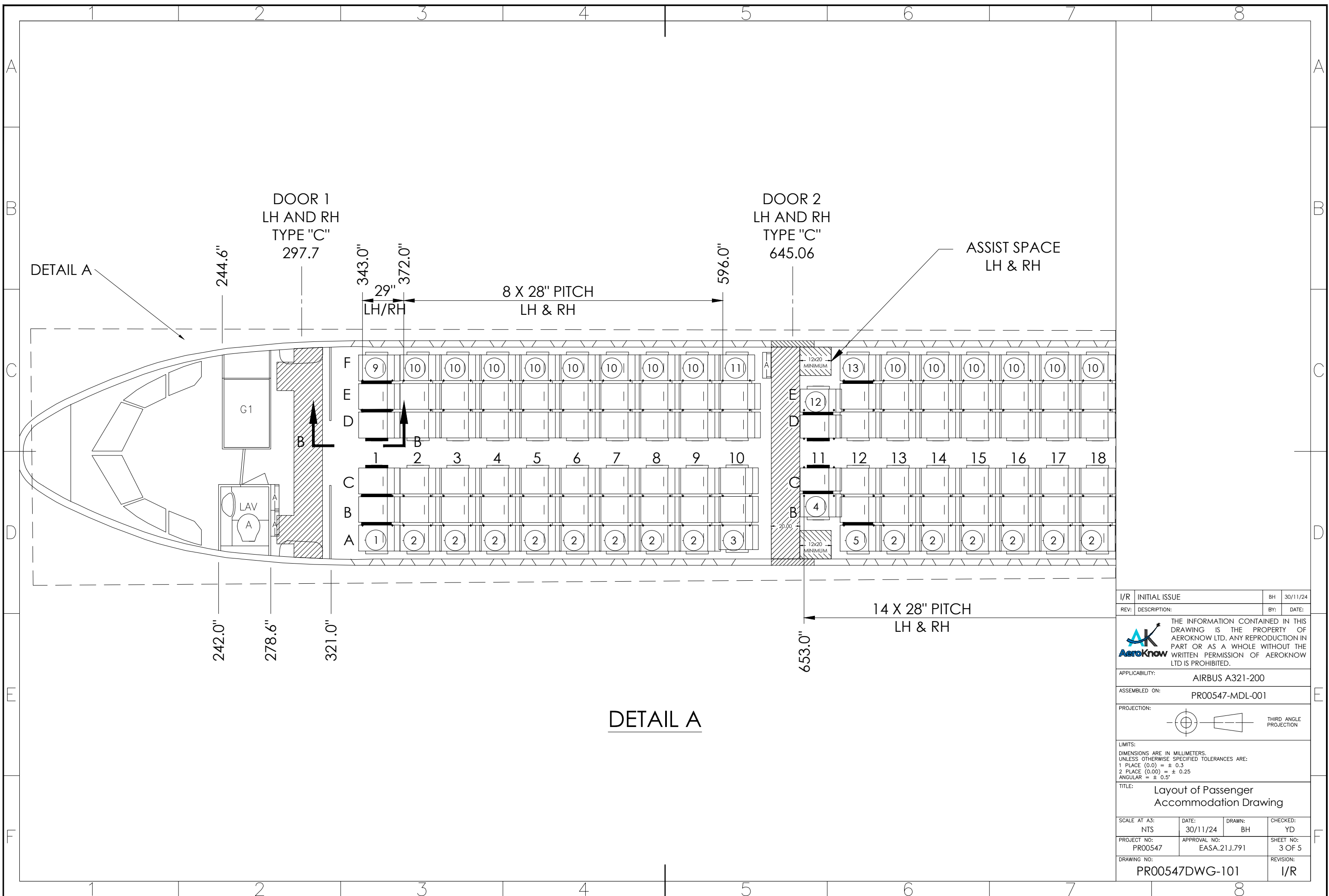


**RECORD SEATS**

ROW	LH P/N	RH P/N	ROW	LH P/N	RH P/N
1	3520D964-31-221	3520D964-32-221	21	3520D964-31-011	3520D964-32-011
2	3520D964-31-011	3520D964-32-011	22	3520D964-31-011	3520D964-32-011
3	3520D964-31-011	3520D964-32-011	23	3520D964-31-011	3520D964-32-011
4	3520D964-31-011	3520D964-32-011	24	3520D964-31-051	3520D964-32-031
5	3520D964-31-011	3520D964-32-011	25	3520D950-21-511	3520D964-22-011
6	3520D964-31-011	3520D964-32-011	26	3520D950-21-511	3520D964-32-221
7	3520D964-31-011	3520D964-32-011	27	3520D964-31-221	3520D964-32-011
8	3520D964-31-011	3520D964-32-011	28	3520D964-31-011	3520D964-32-011
9	3520D964-31-011	3520D964-32-011	29	3520D964-31-011	3520D964-32-011
10	3520D964-31-071	3520D964-32-071	30	3520D964-31-011	3520D964-32-011
11	3520D964-21-221	3520D964-22-221	31	3520D964-31-011	3520D964-32-011
12	3520D964-31-231	3520D964-32-231	32	3520D964-31-011	3520D964-32-011
13	3520D964-31-011	3520D964-32-011	33	3520D964-31-011	3520D964-32-011
14	3520D964-31-011	3520D964-32-011	34	3520D964-31-011	3520D964-32-011
15	3520D964-31-011	3520D964-32-011	35	3520D964-31-011	3520D964-32-111
16	3520D964-31-011	3520D964-32-011	36	3520D964-31-011	3520D964-32-121
17	3520D964-31-011	3520D964-32-011	37	3520D964-31-011	3520D964-32-041
18	3520D964-31-011	3520D964-32-011	38	3520D964-31-091	----
19	3520D964-31-011	3520D964-32-011			
20	3520D964-31-011	3520D964-32-011			

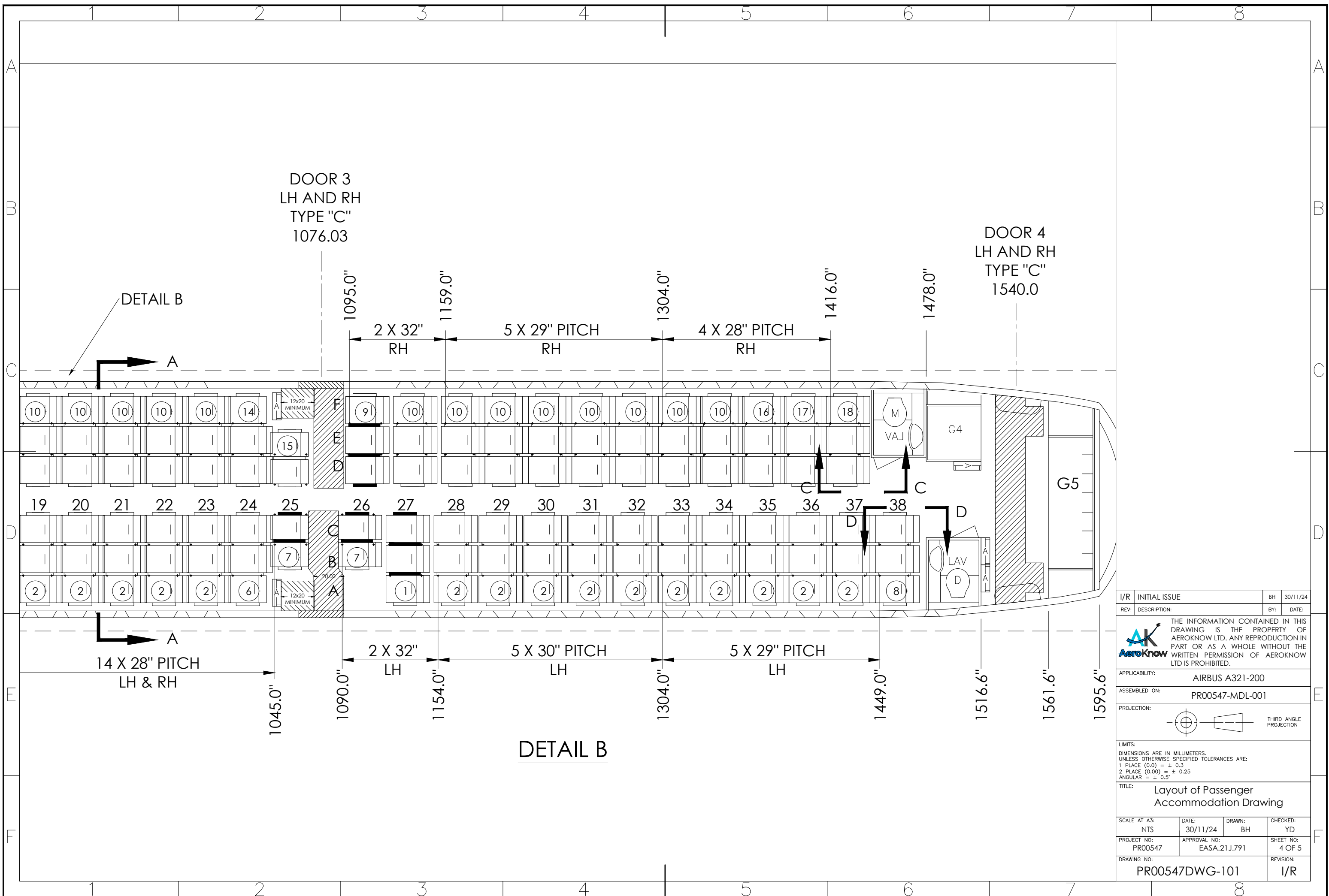
**LOPA - 220Y PAX**

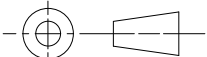
I/R	INITIAL ISSUE	BH	30/11/24
REV:	DESCRIPTION:	BY:	DATE:
<p>THE INFORMATION CONTAINED IN THIS DRAWING IS THE PROPERTY OF AEROKNOW LTD. ANY REPRODUCTION IN PART OR AS A WHOLE WITHOUT THE WRITTEN PERMISSION OF AEROKNOW LTD IS PROHIBITED.</p>			
APPLICABILITY:	AIRBUS A321-200		
ASSEMBLED ON:	PR00547-MDL-001		
PROJECTION:	<p>THIRD ANGLE PROJECTION</p>		
LIMITS:	<p>DIMENSIONS ARE IN MILLIMETERS.          UNLESS OTHERWISE SPECIFIED TOLERANCES ARE:          1 PLACE (0.0) = ± 0.3          2 PLACE (0.00) = ± 0.25          ANGULAR = ± 0.5°</p>		
TITLE:	<p>Layout of Passenger Accommodation Drawing</p>		
SCALE AT A3:	DATE:	DRAWN:	CHECKED:
NTS	30/11/24	BH	YD
PROJECT NO:	APPROVAL NO:	SHEET NO:	REVISION:
PR00547	EASA.21J.791	2 OF 5	
DRAWING NO:	PR00547DWG-101		I/R

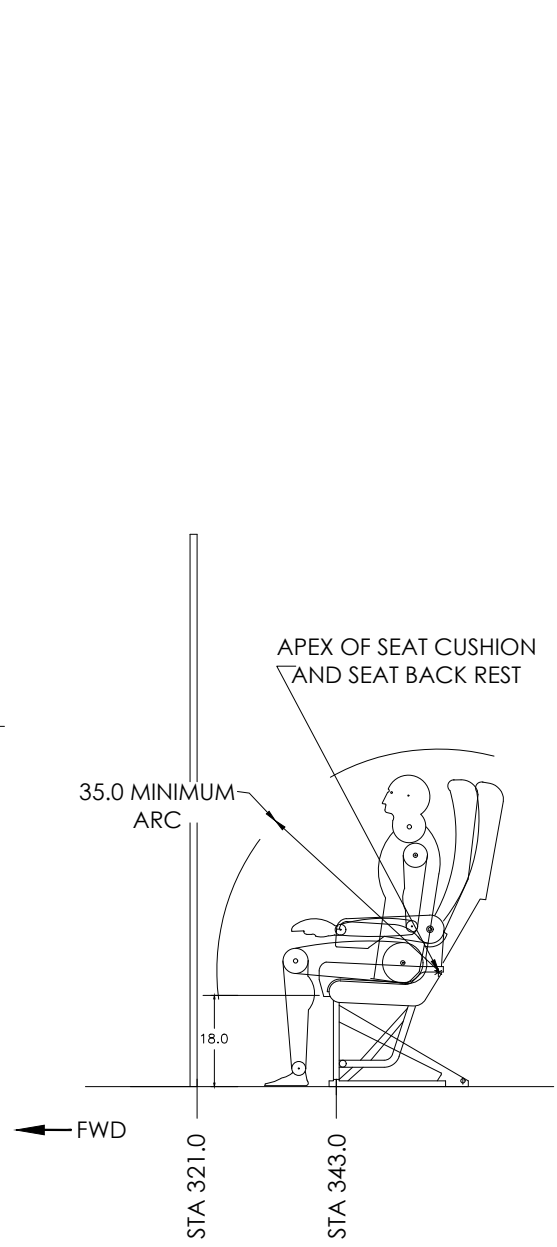


**DETAIL A**

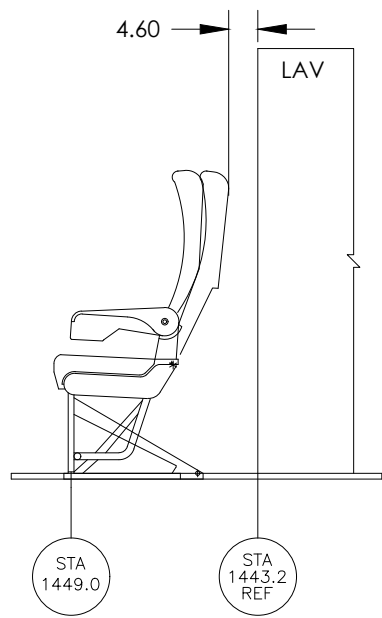
I/R	INITIAL ISSUE	BH	30/11/24
REV:	DESCRIPTION:	BY:	DATE:
<p>THE INFORMATION CONTAINED IN THIS DRAWING IS THE PROPERTY OF AEROKNOW LTD. ANY REPRODUCTION IN PART OR AS A WHOLE WITHOUT THE WRITTEN PERMISSION OF AEROKNOW LTD IS PROHIBITED.</p>			
APPLICABILITY:	AIRBUS A321-200		
ASSEMBLED ON:	PR00547-MDL-001		
PROJECTION:	 THIRD ANGLE PROJECTION		
LIMITS:	DIMENSIONS ARE IN MILLIMETERS. UNLESS OTHERWISE SPECIFIED TOLERANCES ARE: 1 PLACE (0.0) = ± 0.3 2 PLACE (0.00) = ± 0.25 ANGULAR = ± 0.5°		
TITLE:	Layout of Passenger Accommodation Drawing		
SCALE AT A3:	DATE:	DRAWN:	CHECKED:
NTS	30/11/24	BH	YD
PROJECT NO:	APPROVAL NO:	SHEET NO:	
PR00547	EASA.21J.791	3 OF 5	
DRAWING NO:	REVISION:		
PR00547DWG-101	I/R		



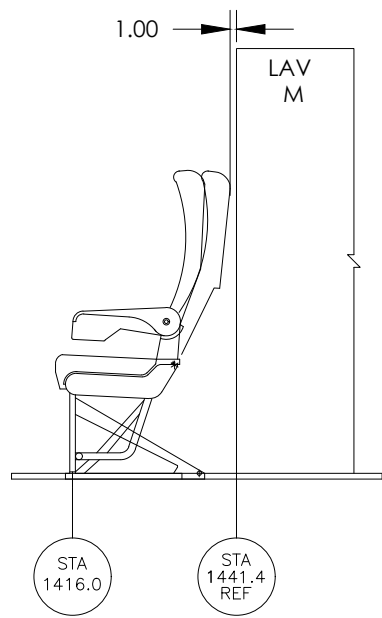
I/R	INITIAL ISSUE	BH	30/11/24
REV:	DESCRIPTION:	BY:	DATE:
<p><b>AeroKnow</b></p> <p>THE INFORMATION CONTAINED IN THIS DRAWING IS THE PROPERTY OF AEROKNOW LTD. ANY REPRODUCTION IN PART OR AS A WHOLE WITHOUT THE WRITTEN PERMISSION OF AEROKNOW LTD IS PROHIBITED.</p>			
APPLICABILITY:	AIRBUS A321-200		
ASSEMBLED ON:	PR00547-MDL-001		
PROJECTION:	 THIRD ANGLE PROJECTION		
LIMITS:	DIMENSIONS ARE IN MILLIMETERS. UNLESS OTHERWISE SPECIFIED TOLERANCES ARE: 1 PLACE (0.0) = ± 0.3 2 PLACE (0.00) = ± 0.25 ANGULAR = ± 0.5°		
TITLE:	Layout of Passenger Accommodation Drawing		
SCALE AT A3:	DATE:	DRAWN:	CHECKED:
NTS	30/11/24	BH	YD
PROJECT NO:	APPROVAL NO:	SHEET NO:	REVISION:
PR00547	EASA.21J.791	4 OF 5	
DRAWING NO:	PR00547DWG-101		I/R



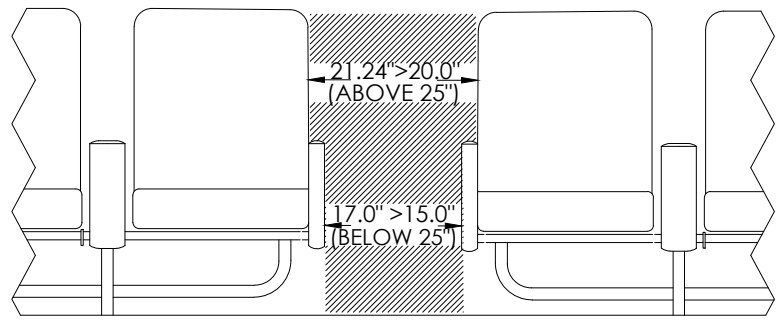
VIEW B-B  
HEAD STRIKE CLEARANCE 10.



VIEW D-D (ROTATED)  
ROW 38 LH

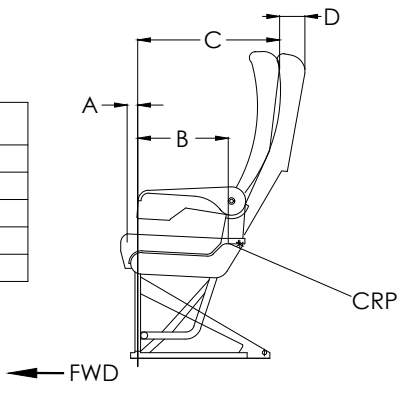


VIEW C-C  
ROW 37 RH


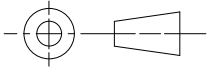


VIEW A-A  
AISLE DISTANCE DETAILS 3.

SEAT GEOMETRY (INCHES)	
DIM	ECONOMY
A	2.7
B	14.5
C	22.40
D	4.0



SEAT GEOMETRY DETAILS

I/R	INITIAL ISSUE	BH	30/11/24
REV:	DESCRIPTION:	BY:	DATE:
 THE INFORMATION CONTAINED IN THIS DRAWING IS THE PROPERTY OF AEROKNOW LTD. ANY REPRODUCTION IN PART OR AS A WHOLE WITHOUT THE WRITTEN PERMISSION OF AEROKNOW LTD IS PROHIBITED.			
APPLICABILITY:		AIRBUS A321-200	
ASSEMBLED ON:		PR00547-MDL-001	
PROJECTION:  THIRD ANGLE PROJECTION			
LIMITS: DIMENSIONS ARE IN MILLIMETERS. UNLESS OTHERWISE SPECIFIED TOLERANCES ARE: 1 PLACE (0.0) = ± 0.3 2 PLACE (0.00) = ± 0.25 ANGULAR = ± 0.5°			
TITLE: <b>Layout of Passenger Accommodation Drawing</b>			
SCALE AT A3:	DATE:	DRAWN:	CHECKED:
NTS	30/11/24	BH	YD
PROJECT NO:	APPROVAL NO:	SHEET NO:	
PR00547	EASA.21J.791	5 OF 5	
DRAWING NO:			REVISION:
PR00547DWG-101			I/R